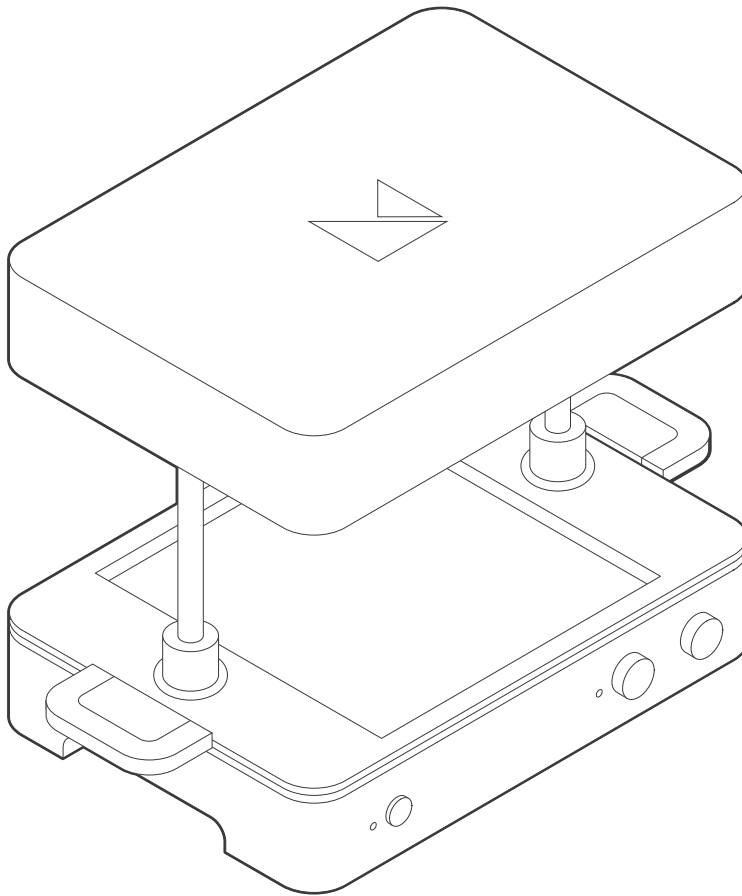


FormBox



Important Information

Contents

English	04
Deutsch	14
Español	26
Français	38
Italiano	50
Português	60

Safety Information

English

Thank you for buying your first Mayku product, The FormBox. If you need any other support, please feel free to get in touch at support@mayku.me or visit www.help.mayku.me

This booklet ensures that you use the FormBox safely, please refer to our included instruction manual or visit our online manual at www.mayku.me/hello to get started and make your first form.

Important

Read this important information carefully before you use the FormBox, and keep it for future reference. Failure to follow all the instructions listed may result in electric shock, fire or serious personal injury. Mayku accepts no responsibility for injury to yourself or others, or damage to property or the FormBox, nor will the warranty apply should The FormBox and related materials be used inappropriately or if the instructions are not followed correctly.

Danger

Before plugging the FormBox into the mains electrical supply, check that the voltage and power supply comply with the specifications indicated on the rating plate of the appliance. You will find this information on the sticker on the back of the machine.

The ceramic plate of the heater on the underside of the top unit of the FormBox can become extremely hot under operation and may cause serious burns. Do not touch under operation.

When in use, surfaces directly under the heater of the FormBox will become very hot.

When sheets are heated in the FormBox they will become very hot, do not touch Mayku sheets until they have cooled after use.

The FormBox melts plastic sheets and other materials which may emit fumes and odours under normal circumstances and if overheated. Always use the FormBox in a well ventilated area.

Never cover the ventilation holes on the top, sides or underneath of the FormBox.

The FormBox must not be submerged in water, as any contact with the electrical parts would create the risk of malfunction and electric shock.

To prevent the risk of electrical shock, do not immerse the power cord, plug, or any non-removable parts of the FormBox in water or any other liquid.

Never allow any liquid to get onto or inside of the FormBox.

Do not use the FormBox with wet hands.

Do not orientate or operate the FormBox upside down or on its side.

Disassembly of the FormBox should only be performed by a certified Mayku repair specialist.

The use of attachments, not specifically recommended by the manufacturer, must not be used as they may cause personal injury or damage to the FormBox.

Do not replace any part of the FormBox with a third-party component.

Do not use any flammable or potentially explosive materials in conjunction with the FormBox either as sheets or templates.

Beware of crushing objects and body parts between the two FormBox trays or between the lower tray and the base of the unit.

Do not attempt to use any body parts or living things as templates in the FormBox.

Warning

Always place the FormBox on a stable, flat, heat-resistant surface. Also ensure that the surface can take the weight of the FormBox during use.

Do not use the FormBox if the plug, the mains cord or the machine itself shows physical damage, or if the machine functions abnormally in any way, or if the machine has been dropped or has been exposed to water or other liquid.

Do not plug a vacuum cleaner into your FormBox that is above 2000 watts or otherwise above the wattage indicated on the back of the machine.

Do not use a vacuum cleaner with the FormBox that shows physical damage, or if the plug and/or the mains cord of the vacuum cleaner shows physical damage, or if the vacuum cleaner functions abnormally in any way, or if the vacuum cleaner has been dropped or has been exposed to water or other liquid.

Do not attempt to power any electrical items other than a vacuum cleaner using the FormBox power output socket.

Always switch the FormBox heater off by turning the heater dial to 'OFF' after use and let the fans cool the heater down for twenty minutes before switching off at the mains.

Do not let the FormBox mains cord come into contact with the ceramic heater in the top of the machine when the heater is switched on or cooling down.

Do not move or lift the FormBox while it is operating or while it is connected to an electrical socket.

Do not leave the FormBox unattended when in use.

The FormBox is not intended for use by persons (including children) with reduced physical, sensory or mental capabilities, or lack of experience and knowledge, unless they have been given supervision or instructions concerning use of the appliance by a person responsible for their safety.

This FormBox can be used by children aged from 8 years and above and persons with reduced physical, sensory or mental capabilities or lack of experience and knowledge if they have been given supervision or instruction concerning use of the appliance in a safe way and understand the hazards involved.

Cleaning and user maintenance of the FormBox shall not be made by children unless they are older than 8 and supervised.

Do not allow children to play with the FormBox unattended. It is not a toy.

Keep the FormBox and its mains cord out of reach of animals and children less than eight years old when the machine is switched on or cooling down.

Close adult supervision is necessary when the FormBox is used by or near children.

Do not use the FormBox under the influence of any intoxicating substances.

Do not use the FormBox outdoors.

Caution

Objects placed close to the FormBox may also get hot.

Regularly check the FormBox power cord carefully for damage. If the power cord is damaged in any way, the manufacturer or its service agent must replace it in order to avoid an electrical hazard.

Fully unwind the FormBox mains cord before you plug it in the wall socket.

Do not allow the FormBox power cord to hang over sharp table edges or come into contact with hot surfaces.

Make sure that the FormBox is switched off and remove the plug from the mains electrical supply when it is not in use, before it is cleaned and while it is being repaired.

To unplug the FormBox and the vacuum cleaner attached to the FormBox, grasp the plug firmly and remove it from the electrical supply. Do not pull on the cord.

Do not use non-certified Mayku sheets and materials with your FormBox.

Mayku are not responsible for the use of any experimental and potentially damaging materials used as sheets or templates in the FormBox.

Keep the vacuum plate of your FormBox clean by removing and washing in warm, soapy water.

Keep your FormBox clean by wiping down with a damp, non-abrasive cloth.

Keep the bearings of your FormBox well maintained by applying lubricating oil regularly to avoid wear.

If handing the FormBox over to a third party, ensure that this safety instruction manual is supplied with the product.

Certification

EU Compliance Statement

Mayku Limited hereby declares that this product is in compliance with the essential requirements and other relevant provisions of the Low Voltage Directive 2014/35/EU, Electromagnetic Compatibility Directive 2014/30/EU, RoHS Directive 2011/65/EU, REACH Directive EC 1907/2006 and all other applicable EU directive requirements. A copy of the EU Declaration of Conformity is available at www.mayku.me/compliance/eu.



FCC Compliance Statement

This device complies with Part 15 of the FCC Rules. Operation is subject to the following two conditions:

1. this device may not cause harmful interference, and
2. this device must accept any interference received, including interference that may cause undesired operation.

NOTE: This equipment has been tested and found to comply with the limits for a Class B digital device, pursuant to Part 15 of the FCC Rules. These limits are designed to provide reasonable protection against harmful interference in a residential installation.

This equipment generates, uses and can radiate radio frequency energy and, if not installed and used in accordance with the instructions, may cause harmful interference to radio communications.

However, there is no guarantee that interference will not occur in a particular installation. If this equipment does cause harmful interference to radio or television reception, which can be determined by turning the equipment off and on, the user is encouraged to try to correct the interference by one or more of the following measures:

Reorient or relocate the receiving antenna.

Increase the separation between the equipment and receiver.

Connect the equipment into an outlet on a circuit different from that to which the receiver is connected.

Consult the dealer or an experienced radio/TV technician for help.

Warning: Changes or modifications to this unit not expressly approved by the party responsible for compliance could void the user's authority to operate the equipment.

Regional Disposal and Recycling Information

This symbol indicates that this product must not be disposed of with normal household waste. When you dispose of this product you must do so in accordance with local environmental laws and guidelines. For more information on how to dispose of this product please contact your local authority, disposal service or Mayku directly.



Mayku Environmental Commitment

At Mayku we are working towards a sustainable future. Where people have the power to create, not just consume. We consider the environmental impact of every product we make as well as the materials that work with them. That's why Mayku Sheets are made out of as much recycled content as possible without compromising quality. We have also ensured that they are fully recyclable - so you can put them in your regular household recycling waste. More than a machines company Mayku is a community of Makers. And we need you - to join us in creating a sustainable future. Please help us care for our environment by recycling Mayku products and consumables whenever possible.

Product Warranty

Exclusive Limited Warranty

Mayku warranty obligations for all Hardware Products sold by Mayku are limited to the terms set forth below. To be eligible for this Exclusive Limited Warranty the Hardware products must be purchased through Mayku or through a Mayku Authorized Reseller with a valid Proof of Purchase.

Mayku warrants Mayku-branded Hardware Products against defects in materials and workmanship under normal use for a period of two years from the date of purchase by the original end-user purchaser ("Warranty Period"). Hardware Products include the FormBox, and/or any factory-reconditioned version of the aforementioned Product.

If a hardware defect arises and a valid claim is received within the Warranty Period, at our sole option and to the extent permitted by law, Mayku will either 1) repair the hardware defect at no charge, using new or refurbished replacement parts, 2) exchange the Hardware Product with a Hardware Product that is new or reconditioned by Mayku or that has been manufactured from new or serviceable used parts and is at least functionally equivalent to the original Hardware Product, or 3) refund the purchase price of the Hardware Product.

When a Hardware Product or part is exchanged, any replacement item becomes your property and the replaced item becomes Mayku's property. Parts provided by Mayku in fulfillment of its warranty obligation must be used in Hardware Products for which warranty service is claimed. When a refund is given, the Hardware Product for which the refund is provided must be returned to Mayku unless specified otherwise.

Exclusions from and Limitation to Warranty

This Limited Warranty applies only to Hardware Products manufactured by or for Mayku that can be identified by the "Mayku" logo affixed to them. The Limited Warranty does not apply to any non-Mayku Hardware Products.

Mayku does not warrant that the operation of the Hardware Product will be uninterrupted or error-free. Mayku is not responsible for damage arising from failure to follow instructions relating to the Hardware Product's use.

This warranty does not apply: a) to damage caused by accident, abuse, misuse, flood, fire, earthquake, or other external causes; b) to damage caused by operating the Hardware Product outside the permitted or intended uses described by Mayku; c) to damage caused by service (including upgrades and expansions) performed by anyone who is not a representative of Mayku; d) to a Hardware Product or part that has been modified to alter functionality or capability without the written permission of Mayku e) to consumables, unless damage has occurred due to a defect in materials or workmanship; or f) to cosmetic damage, including but not limited to scratches, dents.

THIS WARRANTY GIVES YOU SPECIFIC LEGAL RIGHTS, AND YOU MAY ALSO HAVE OTHER RIGHTS WHICH VARY FROM STATE TO STATE OR COUNTRY TO COUNTRY. MAYKU RESPONSIBILITY FOR HARDWARE DEFECTS IS LIMITED TO REPAIR OR REPLACEMENT SERVICE AS DETERMINED BY MAYKU IN ITS SOLE DISCRETION.

Disclaimer of Warranties; Limitation of Liability

Except as explicitly provided in these Terms, we do not guarantee, represent or warrant that your use of our service or any Mayku Hardware Product will be uninterrupted, timely, secure or error-free. We do not warrant that the results that may be obtained from the use of the service or the Hardware Product will be accurate or reliable. You agree that from time to time we may remove the service for indefinite periods of time or cancel the service at any time, without notice to you.

Obtaining Warranty Service

Please contact Mayku at support@mayku.me and we will be able to assist you. We will be required to help assist in diagnosing issues with your Hardware Product.

Service options, parts availability, and response times may vary. Service options are subject to change at any time. In accordance with applicable law, Mayku may require that you furnish proof of purchase details before receiving warranty service.

Terms

Please be advised of the following terms (the "Terms") regarding the Starter Book (the "Starter Book"), the Form Sheet Instructions (the "Form Sheet Instructions"), the Cast Sheet Instructions (the "Cast Sheet Instructions"), and the Safety Information booklet (the "Safety Information Booklet") included within the FormBox packaging: All information in the Starter Book, Form Sheet Instructions, Cast Sheet Instructions and Safety Information Booklet is subject to change at any time without notice and is provided for convenience purposes only. Mayku reserves the right to modify or revise the Starter Book, Form Sheet Instructions, Cast Sheet Instructions and Safety Information Booklet in its sole discretion and at any time. You agree to be bound by any modifications and/or revisions. Contact Mayku Support for up-to-date information. The design of the Starter Book, Form Sheet Instructions, Cast Sheet Instructions and Safety Information Booklet and all text, graphics, information, content, and other material are protected by copyright and other laws. The contents are copyright 2017, 2018 Mayku, LTD, or our respective affiliates and suppliers. All rights reserved. Certain trademarks, trade names, service marks, and logos (the "Marks") used in the Starter Book, Form Sheet Instructions, Cast Sheet Instructions and Safety Information Booklet are registered and unregistered trademarks, trade names, and service marks of Mayku and its affiliates. Nothing contained in the Starter Book, Form Sheet Instructions, Cast Sheet Instructions and Safety Information Booklet grants or should be construed as granting, by implication, estoppel, or otherwise, any license or right to use any Marks without the written permission of Mayku. Any unauthorized use of any information, materials, or Marks may violate copyright laws, trademark laws, laws of privacy and publicity, and/or other laws and regulations. **DISCLAIMERS.** Neither Mayku nor any of our affiliates warrants the accuracy or completeness of the information, products, or services provided by or through the Starter Book, Form Sheet Instructions, Cast Sheet Instructions and Safety Information Booklet, which are provided "as is" and without any express or implied warranties of any kind, including warranties of merchantability, fitness for a particular purpose, or non-infringement of intellectual property. To the fullest extent permissible by the applicable law, we hereby disclaim all liability for product defect or failure or for claims that are due to normal wear, product misuse or abuse, product modification, improper product selection, noncompliance with any codes, or misappropriation. To the fullest extent permissible by the applicable law, we hereby disclaim any and all responsibility, risk, liability, and damages arising out of death or personal injury resulting from assembly or operation of our products. The foregoing exclusions do not apply to the extent prohibited by law; please refer to your local laws for any such prohibitions. We make no warranties to those defined as "consumers" in the Magnuson-Moss Warranty-Federal Trade Commission Improvement Act. **terms 60 Terms terms LIMITATIONS OF LIABILITY.** In no event will Mayku or any of our respective officers, directors, employees, shareholders, affiliates, agents, successors, or assigns, nor any party involved in the creation or production of our products, be liable to you or anyone else for any indirect, special, punitive, incidental, or consequential damages (including,

without limitation, those resulting from lost profits or business interruption) arising out of the use, inability to use, or the results of use of the Starter Book, Form Sheet Instructions, Cast Sheet Instructions and Safety Information Booklet, whether based on warranty, contract, tort, or any other legal theory and whether or not advised of the possibility of such damages. The foregoing limitations of liability do not apply to the extent prohibited by law; please refer to your local laws for any such prohibitions.

Mayku
Studio 101,
Curtain House,
134 - 146 Curtain Rd, Shoreditch,
London,
EC2A 3AR

www.mayku.me
support@mayku.me

Sicherheitsinformationen

Deutsch

Vielen Dank für den Kauf Ihres ersten Mayku-Produkts, die FormBox. Falls wir Ihnen noch weiter helfen können, dann können Sie sich jederzeit mit uns in Verbindung setzen. Sie erreichen uns unter support@mayku.me. Oder besuchen Sie uns einfach auf unsere Webseite: www.help.mayku.me

Die Broschüre stellt sicher, dass Sie Ihre FormBox sicher nutzen. Bitte lesen Sie unsere beiliegende Bedienungsanleitung oder informieren Sie sich auf unserer online verfügbaren Anleitung auf www.mayku.me/hello, um loszulegen und Ihre erste Form zu machen.

Wichtig

Lesen Sie diese wichtigen Informationen sorgfältig durch, bevor Sie die FormBox verwenden und bewahren Sie sie für zukünftige Referenzzwecke auf. Werden die Anweisungen nicht alle befolgt, kann es zu Stromschlägen, Feuer oder schweren persönlichen Verletzungen kommen. Mayku übernimmt keine Verantwortung für Verletzungen, die Sie sich selbst oder anderen zufügen, oder Sachschäden oder Schäden an der FormBox. Die Garantieleistung wird auch nicht gewährt, wenn die FormBox und ähnliche Materialien unsachgemäß verwendet werden oder wenn die Anweisungen nicht ordnungsgemäß befolgt werden.

Gefahr

Bevor Sie die FormBox an die Steckdose anschließen, müssen Sie überprüfen, ob die Netzspannung und Stromversorgung mit den Angaben auf dem Typenschild übereinstimmen. Sie finden diese Informationen auf dem Aufkleber, der sich auf der Rückseite der Maschine befindet.

Die Keramikplatte des Heizelements auf der Unterseite der oberen Einheit der FormBox kann extrem heiß werden, wenn sie in Betrieb ist, und schwere Verbrennungen verursachen. Sie dürfen das Heizelement nicht berühren, wenn das Gerät in Betrieb ist.

Wenn die Maschine benutzt wird, werden die Oberflächen, die sich direkt unter dem Heizelement der FormBox befinden, sehr heiß.

Wenn die Folien in der FormBox erhitzt werden, werden sie sehr heiß. Berühren Sie die Mayku-Folien erst, wenn diese abgekühlt sind.

Die FormBox schmelzt Plastikfolien und andere Materialien, die unter normalen Bedingungen und bei Überhitzung Rauchgase und Gerüche freisetzen können. Verwenden Sie die FormBox daher immer in einen belüfteten Raum.

Decken Sie niemals die Belüftungsöffnungen auf der Oberseite, an der Seite oder auf der Unterseite der FormBox ab.

Die FormBox darf nicht in Wasser eingetaucht werden, da jeglicher Kontakt mit den elektrischen Bauteilen zu einer möglichen Fehlfunktion führen und einen Stromschlag auslösen könnte.

Um die Gefahr eines Stromschlags zu verhindern, dürfen Sie das Stromkabel, den Stecker oder jegliche sonstigen nicht abnehmbaren Teile der FormBox nicht in Wasser oder in irgendeiner anderen Flüssigkeit tauchen.

Achten Sie immer darauf, dass keine Flüssigkeit auf oder in die FormBox gelangen kann.

Verwenden Sie die FormBox nicht, wenn Sie nasse Hände haben.

Drehen oder verwenden Sie die FormBox nicht, wenn diese umgekehrt auf dem Kopf oder auf der Seite liegt.

Die FormBox sollte nur von zertifiziertem Mayku-Fachpersonal auseinanderggebaut werden.

Befestigungen oder Anbaugeräte, die nicht speziell vom Hersteller empfohlen werden, dürfen nicht verwendet werden, da ihre Verwendung zu körperlichen Verletzungen führen oder die FormBox beschädigt werden kann.

Ersetzen Sie kein Bauteil der FormBox mit einem Bauteil eines anderen Anbieters.

Verwenden Sie keine entflammbaren oder möglicherweise explosiven Materialien in Verbindung mit der FormBox, weder als Folien noch als Vorlagen.

Seien Sie vorsichtig bei zerbrechlichen Gegenständen und Körperteilen, die zwischen die beiden Ablagen der FormBox oder zwischen die untere Ablage und dem Boden der Einheit gelangen können.

Versuchen Sie nicht, irgendein Körperteil oder etwas Lebendiges als Vorlage in der FormBox zu verwenden.

Warnhinweise

Stellen Sie die FormBox immer auf eine stabile, flache und hitzebeständige Oberfläche. Stellen Sie auch sicher, dass die Oberfläche das Gewicht der FormBox während des Betriebs tragen kann.

Verwenden Sie die FormBox nicht, wenn der Stecker, das Stromkabel oder das Gerät selbst irgendwelche Schäden aufweist oder wenn das Gerät in irgendeiner Weise ungewöhnlich funktioniert oder wenn das Gerät fallen gelassen wurde oder Wasser oder einer anderen Flüssigkeit ausgesetzt wurde.

Schließen Sie keinen Staubsauger an Ihre FormBox an, der eine Leistung von über 2000 Watt aufweist oder sonst über der Wattleistung liegt, die auf der Rückseite der Maschine angegeben ist.

Verwenden Sie keinen Staubsauger mit der FormBox, der irgendwelchen Schäden aufweist oder dessen Stecker und/oder Stromkabel irgendwelche Schäden aufweist oder wenn der Staubsauger in irgendeiner Weise ungewöhnlich funktioniert oder wenn der Staubsauger fallen gelassen wurde oder Wasser oder einer anderen Flüssigkeit ausgesetzt wurde.

Versuchen Sie nicht, irgendwelche anderen elektrischen Geräte als einen Staubsauger an die Stromausgangsbuchse der FormBox anzuschließen.

Stellen Sie das Heizelement der FormBox nach dem Gebrauch immer ab, indem Sie den Heiz-Schalter auf 'OFF' drehen. Lassen Sie anschließend das Heizelement für 20 Minuten durch die Lüfter abkühlen, bevor Sie das Gerät mit dem Hauptschalter komplett abschalten und die Stromzufuhr unterbrechen können.

Lassen Sie das Stromkabel der FormBox nicht mit dem keramischen Heizelement im oberen Bereich des Geräts in Kontakt geraten, wenn das Heizelement angeschaltet ist oder herunterkühlt.

Sie dürfen die FormBox weder bewegen noch anheben, wenn sie in Betrieb ist oder an einer Steckdose angeschlossen ist.

Lassen Sie die FormBox nicht unbeaufsichtigt, wenn sie benutzt wird.

Personen (einschließlich Kinder) mit eingeschränkten körperlichen, sensorischen oder geistigen Fähigkeiten oder mit fehlender Erfahrung und mangelndem Wissen sollen die FormBox nicht benutzen; es sei denn, diese Personen werden beaufsichtigt oder erhalten Anweisungen hinsichtlich des Gebrauchs des Geräts von einer Person, die für deren Sicherheit verantwortlich ist.

Diese FormBox kann von Kindern ab einem Alter von 8 Jahren und älter und von Personen mit eingeschränkten körperlichen, sensorischen oder geistigen Fähigkeiten oder mit fehlender Erfahrung und mangelndem Wissen genutzt werden, wenn sie beaufsichtigt werden oder Anweisungen erhalten haben, wie man das Gerät sicher nutzt, und die entsprechend verbundenen Gefahren verstehen.

Kinder dürfen die FormBox nur reinigen und warten, wenn sie älter als 8 Jahre sind und dabei beaufsichtigt werden.

Erlauben Sie Kindern nicht unbeaufsichtigt mit der FormBox zu spielen. Dieses Gerät ist kein Spielzeug.

Bewahren Sie die FormBox und ihr Stromkabel außerhalb der Reichweite von Tieren und Kindern auf, die jünger als 8 Jahre sind, wenn das Gerät angeschaltet ist oder abkühlt.

Eine sorgfältige Aufsicht durch einen Erwachsenen ist erforderlich, wenn die FormBox von oder in der Nähe von Kindern benutzt wird.

Verwenden Sie die FormBox nicht unter dem Einfluss von berauschenden Substanzen.

Verwenden Sie die FormBox nicht draußen im Freien.

Achtung

Gegenstände, die in die Nähe der FormBox gelegt werden, können auch heiß werden.

Überprüfen Sie regelmäßig und sorgfältig das Stromkabel der FormBox, ob es irgendwelche Beschädigungen aufweist. Wenn dies der Fall sein sollte, müssen der Hersteller oder die Support-Mitarbeiter das Kabel ersetzen, um Gefahren durch Elektrizität zu vermeiden.

Rollen Sie das Stromkabel der FormBox komplett aus, bevor sie es in die Steckdose stecken.

Sorgen Sie dafür, dass das Stromkabel der FormBox nicht über scharfen Tischkanten hängt oder in Kontakt mit heißen Oberflächen gerät.

Stellen Sie sicher, dass die FormBox abgeschaltet ist und ziehen Sie den Stecker aus der Steckdose, wenn das Gerät nicht genutzt wird. Erst jetzt können Sie mit dem Reinigen oder Reparieren beginnen.

Um den Stecker der FormBox und den Stecker des Staubsaugers, der an der FormBox angeschlossen ist, zu entfernen, müssen Sie den Stecker feste greifen und aus der Steckdose ziehen. Ziehen Sie nicht am Kabel.

Verwenden Sie keine Folien und Materialien in ihrer FormBox, die nicht von Mayku zugelassen sind.

Mayku ist nicht verantwortlich für den Gebrauch von jeglichen experimentellen und möglicherweise schädlichen Materialien, die als Folien oder Vorlagen in der FormBox verwendet werden.

Halten Sie die Vakuumplatte ihrer FormBox sauber. Nehmen Sie die Platte dazu heraus und waschen Sie sie in warmem und seifigem Wasser.

Halten Sie Ihre FormBox sauber, indem Sie das Gerät mit einem feuchten und nicht scheuernden Tuch abwischen.

Sorgen Sie dafür, dass die Lager Ihrer FormBox immer gut gewartet sind. Verwenden Sie hierzu Schmieröl, um Abnutzung zu vermeiden.

Falls Sie die FormBox an eine andere Person übergeben sollten, dann sorgen Sie dafür, dass dieses Handbuch mit den Sicherheitshinweisen dem Gerät beiliegt.

Zertifizierung

EU-Konformitätserklärung

Hiermit erklärt Mayku Limited, dass dieses Produkt die wesentlichen Anforderungen und sonstigen Bestimmungen der Niederspannungsrichtlinie 2014/35/EU, der Richtlinie 2014/30/EU über die elektromagnetische Verträglichkeit, der Richtlinie 2011/65/EU zur Beschränkung der Verwendung bestimmter gefährlicher Stoffe in Elektro- und Elektronikgeräten, der REACH-Verordnung EC 1907/2006 und der ganzen anderen geltenden EU-Richtlinien erfüllt und einhält.

Eine Kopie der EU-Konformitätserklärung kann auf www.mayku.me/compliance/eu heruntergeladen werden.



FCC-Konformitätserklärung

Dieses Gerät erfüllt die Vorgaben in Teil 15 der FCC (Federal Communications Commission, Amerikanische Bundesbehörde für das Fernmeldewesen). Der Betrieb des Geräts unterliegt den folgenden zwei Bedingungen:

1. Dieses Gerät darf keine schädlichen Störungen verursachen.
2. Dieses Gerät muss Interferenzen vertragen können, darunter auch Störsignale, die unerwünschte Reaktionen im Gerät hervorrufen können.

HINWEIS: Das Gerät wurde geprüft und erfüllt die Grenzwerte für ein Digitalgerät der Klasse B gemäß Teil 15 der FCC-Bestimmungen. Diese Grenzwerte stellen einen angemessenen Schutz vor Funkstörungen innerhalb von Wohngebäuden sicher.

Dieses Gerät arbeitet mit Hochfrequenzwellen, die bei unsachgemäßer, nicht der Herstelleranleitung entsprechender Installation und Verwendung Störungen im Rundfunkempfang verursachen.

Es gibt jedoch keine Garantie, dass bei einer bestimmten Installation keine Störungen auftreten. Kommt es durch das Gerät zu Störungen im Radio- oder Fernsehempfang (was sich durch

Ein- und Ausschalten des Geräts überprüfen lässt), versuchen Sie, die Störung durch folgende Maßnahmen zu beheben:

Richten Sie die Empfangsantenne neu aus, oder stellen Sie sie an einem anderen Ort auf.

Vergrößern Sie den Abstand zwischen dem empfangsgestörten Gerät und dem Empfänger.

Schließen Sie das Gerät an eine Steckdose an, die über einen anderen Stromkreis versorgt wird als der Empfänger.

Wenden Sie sich an den Händler oder an einen erfahrenen Radio- und Fernsehtechniker.

Wichtig: Änderungen oder Umbauten am Gerät, die von der für die Einhaltung der einschlägigen Bestimmungen verantwortlichen Stelle nicht ausdrücklich genehmigt wurden, können einen Entzug der Betriebserlaubnis für dieses Gerät zur Folge haben.

Informationen zur regionalen Entsorgung und Wiederverwertung



Dieses Symbol gibt an, dass dieses Produkt nicht im normalen Haushaltsmüll entsorgt werden darf. Wenn Sie dieses Produkt entsorgen, dann müssen Sie dies in Einklang mit den vor Ort geltenden umweltrechtlichen Bestimmungen und Richtlinien tun. Falls Sie noch weitere Informationen dazu benötigen, wie man dieses Produkt entsorgt, dann wenden Sie sich bitte an die zuständigen Behörden vor Ort, an die Entsorgungsdienste oder an Mayku direkt.

Umweltengagement von Mayku

Bei Mayku arbeiten wir für eine nachhaltige Zukunft, in der Menschen die Möglichkeit haben, etwas zu schaffen und nicht nur zu konsumieren. Wir berücksichtigen die Umweltauswirkungen jedes Produkts, das wir herstellen, sowie die Verträglichkeit der Materialien, die für die Nutzung dieses Produkts verwendet werden. Deswegen werden die Folien von Mayku aus so viel recyceltem Material wie möglich gemacht, ohne dass die Qualität darunter leidet. Wir haben auch gewährleistet, dass die Folien sich vollständig recyceln lassen. Sie können sie somit in Ihrem Haushaltsmüll für wiederverwertbare Produkte entsorgen (Gelber Sack). Mayku ist mehr als ein Unternehmen, das Maschinen herstellt – nämlich eine Gemeinschaft von Machern. Und wir brauchen Sie, um uns bei der Schaffung einer nachhaltigen Zukunft zu begleiten. Bitte helfen Sie uns beim Schutz unserer Umwelt und recyceln Sie Produkte und Verbrauchsmaterialien von Mayku, wann immer dies möglich ist.

Produktgarantie

Exklusive Eingeschränkte Garantie

Mayku-Garantiepflichtungen für alle Hardwareprodukte, die von Mayku verkauft werden, beschränken sich auf die im Folgenden aufgeführten Bedingungen. Um Anspruch zu haben auf diese exklusive eingeschränkte Garantie, müssen die Hardwareprodukte bei Mayku oder bei einem von Mayku autorisierten Händler gekauft werden und ein gültiger Kaufnachweis vorliegen.

Mayku garantiert für einen Zeitraum von zwei Jahren ab dem Kaufdatum durch den ursprünglichen Endabnehmer ("Gewährleistungsfrist"), dass mit Mayku gekennzeichnete Hardwareprodukte bei normaler Nutzung frei von Material- und Herstellungsfehlern sind. Zu Hardwareprodukten zählen die FormBox und/oder jegliche werksüberholten Version des oben genannten Produkts.

Wenn ein Hardwarefehler auftritt und der Anspruch auf die Garantieleistung innerhalb der Gewährleistungsfrist geltend gemacht wird, wird Mayku nach eigenem Ermessen und im gesetzlich erlaubten Rahmen entweder 1) Fehler der Hardware unentgeltlich unter Einsatz neuer oder ausgetauschter Ersatzteile reparieren, 2) das Hardwareprodukt gegen ein Produkt austauschen, das entweder neu ist oder von Mayku überholt wurde oder aus neuen oder brauchbaren benutzten Teilen hergestellt wurde und zumindest funktionell dem ursprünglichen Produkt entspricht, oder 3) den Kaufpreis des Hardwareprodukts erstatten.

Wenn ein Produkt oder Ersatzteil ausgetauscht wird, geht dieses Austauschprodukt oder Ersatzteil in Ihren Besitz über, und das ausgetauschte Produkt oder Ersatzteil geht in den Besitz von Mayku über. Bauteile, die von Mayku bei ihrer Erfüllung der Gewährleistungspflicht bereitgestellt werden, müssen in Hardwareprodukten, für die ein Garantieanspruch geltend gemacht wird, verwendet werden. Im Falle einer Kaufpreiserstattung muss das Produkt, für das der Kaufpreis erstattet wird, an Mayku zurückgegeben werden, sofern nichts anderes bestimmt ist.

Ausschlüsse von und Beschränkung der Gewährleistung

Diese beschränkte Garantie gilt nur für Hardwareprodukte, die von oder für Mayku hergestellt wurden und durch das "Mayku"-Logo, das auf diesen Produkten aufgebracht ist, identifiziert werden können. Die beschränkte Garantie gilt nicht für Hardwareprodukte, die nicht von Mayku sind.

Mayku garantiert nicht, dass der Betrieb des Hardwareprodukts ohne Unterbrechung oder fehlerfrei erfolgt.

Mayku ist nicht verantwortlich für Schäden, die aufgrund der Nichtbefolgung von Anweisungen bezüglich der Nutzung des Hardwareprodukts entstehen.

Diese Garantie gilt nicht für: a) Schäden infolge von Unfall, Missbrauch, Überschwemmung, Feuer, Erdbeben oder anderer externer Ursachen; b) Schäden aufgrund des Bedienens des Hardwareprodukts außerhalb der erlaubten oder beabsichtigten Verwendungszwecke, die von Mayku beschrieben werden; c) Schäden durch einen Service (einschließlich Upgrades und Erweiterungen), der von jemandem geleistet wurde, der Mayku nicht repräsentiert; d) ein Hardwareprodukt oder Bauteil, das ohne Maykus schriftliche Genehmigung modifiziert wurde, um die Funktionalität oder Fähigkeit zu ändern; e) Verbrauchsmaterialien, sofern kein Schaden hinsichtlich der Funktionalität durch einen Material- oder Verarbeitungsfehler entstanden ist; oder f) kosmetische Schäden, einschließlich, aber nicht beschränkt auf Kratzer, Zähne.

MIT DIESER GARANTIE ERHALTEN SIE BESTIMMTE GESETZLICHE RECHTE. UNTER UMSTÄNDEN BESITZEN SIE NOCH ANDERE RECHTE, DIE VON BUNDESSTAAT ZU BUNDESSTAAT ODER LAND ZU LAND UNTERSCHIEDLICH SEIN KÖNNEN. MAYKUS VERANTWORTUNGSBEREICH FÜR HARDWARESCHÄDEN BESCHRÄNKT SICH AUF REPARATUREN ODER AUSTAUSCH-SERVICELEISTUNGEN UND WIRD NACH ALLEINIGEM ERMESSEN DURCH MAYKU DEFINIERT.

Garantieausschlussklausel; Haftungsausschluss

Sofern nicht ausdrücklich in diesen Nutzungsbedingungen aufgeführt, können wir weder zusichern noch garantieren, dass Ihre Nutzung unserer Dienste oder irgendwelcher Mayku-Hardwareprodukte ohne Unterbrechung, pünktlich, sicher oder fehlerfrei möglich ist. Wir übernehmen keine Garantie dafür, dass die Ergebnisse, die durch die Nutzung der Dienste und Mayku-Hardwareprodukte erzielt werden, korrekt und verlässlich sein werden. Sie erklären sich damit einverstanden, dass wir -von Zeit zu Zeit- den Service für eine unbestimmte Zeitdauer entfernen oder jederzeit einstellen können, ohne Sie darüber zu informieren.

Garantieservice anfordern

Bitte kontaktieren Sie Mayku unter support@mayku.me, damit wir Ihnen bei der Diagnose eines Problems mit Ihrem Hardwareprodukt helfen können.

Service-Optionen, Verfügbarkeit von Komponenten und die Zeit, die wir zum Bearbeiten Ihrer Anfrage benötigen, können variieren. Änderungen der Service-Optionen sind jederzeit vorbehalten. Mayku kann Sie entsprechend der geltenden rechtlichen Bestimmungen dazu auffordern, entsprechende Unterlagen für Ihren Kaufnachweis vorzulegen, bevor die Garantieleistung in Anspruch genommen werden kann.

AGB

Bitte beachten Sie die folgenden Bedingungen (die "AGB") des Starterbuchs ("Starterbuch"), der Hinweise zu den Folien ("Hinweise zu den Folien"), der Hinweise zu den Abgüssen ("Hinweise zu den Abgüssen") und des Heftchens mit den Informationen zur Sicherheit ("Sicherheitsinformationsheftchen"), die sich in der Verpackung der FormBox befinden: Alle Informationen im Starterbuch, die Hinweise zu den Folien & Abgüssen und die Informationen zur Sicherheit können jederzeit und ohne Vorankündigung geändert werden. Alle diese Informationen werden allein zu Informationszwecken bereitgestellt. Mayku behält sich das Recht vor, das Starterbuch, die Hinweise zu den Folien, die Hinweise zu den Abgüssen und das Sicherheitsinformationsheftchen jederzeit und nach alleinigem Ermessen zu ändern und zu überarbeiten. Sie erklären sich damit einverstanden, an jegliche Änderungen und/oder Überarbeitungen gebunden zu sein. Kontaktieren Sie den Support von Mayku, um aktuelle Informationen zu erhalten. Das Design des Starterbuchs, der Hinweise zu den Folien, der Hinweise zu den Abgüssen und des Sicherheitsinformationsheftchens sowie aller Texte, Grafiken, Informationen, Inhalte und anderer Materialien ist urheberrechtlich und durch andere Gesetze geschützt. Die Inhalte sind urheberrechtlich 2017, 2018 Mayku, LTD oder durch unsere entsprechenden Partner und Lieferanten geschützt. Alle Rechte vorbehalten. Einige Markenzeichen, Handelsbezeichnungen, Dienstleistungszeichen und Logos (die "Marken"), die im Starterbuch, in den Hinweisen zu den Folien, den Hinweisen zu den Abgüssen und im Heftchen mit den Informationen zur Sicherheit verwendet werden, sind eingetragene und nicht eingetragene Markenzeichen, Handelsbezeichnungen und Dienstleistungszeichen von Mayku und ihren Partnern. Keine Inhalte im Starterbuch, in den Hinweisen zu den Folien, den Hinweisen zu den Abgüssen und im Heftchen mit den Informationen zur Sicherheit sind so auszulegen, dass dadurch implizit, durch schlüssiges Verhalten, Hinderung oder auf sonstige Weise Lizenzen oder Rechte zur Nutzung von Marken ohne die schriftliche Erlaubnis von Mayku und ihren Partnern gewährt werden.

Jede unbefugte Verwendung von Informationen, Materialien oder Marken kann eine Verletzung von Urheberrechten, Markenschutzgesetzen, Datenschutzgesetzen und/oder anderen Gesetzen und Bestimmungen darstellen.

HAFTUNGSAUSSCHLÜSSE. Weder Mayku noch irgendeiner unserer Partner garantiert die Richtigkeit und Vollständigkeit der Informationen, Produkte oder Dienste, die von oder durch das Starterbuch, die Hinweise zu den Folien, die Hinweise zu den Abgüssen und das Sicherheitsinformationsheftchen bereitgestellt werden.

Diese Informationen, Produkte oder Dienste werden ohne ausdrückliche oder stillschweigende Mängelgewähr und Gewährleistungen zur Verfügung gestellt, einschließlich der Garantie auf Marktfähigkeit, Eignung für einen bestimmten Zweck oder Nichtverletzung von Rechten an geistigem Eigentum. Soweit dies gesetzlich zulässig ist, übernehmen wir hiermit keine Haftung für Mängel oder Fehler am Produkt oder

für Ansprüche, die aufgrund von normalem Verschleiß, Missbrauch oder unsachgemäßer Anwendung, Produktmodifikationen, unsachgemäßer Produktauswahl, Nichteinhaltung jeglicher Codes oder Zweckentfremdung entstehen. Soweit dies gesetzlich zulässig ist, übernehmen wir hiermit keine Haftung und weisen jegliche Verantwortung für Risiken, Verbindlichkeiten und Schäden von uns, die aufgrund von Tod oder Körperverletzung und als Folge des Zusammenbaus oder Betriebs unserer Produkte entstehen.

Die vorstehenden Haftungsausschlüsse gelten nicht in dem Umfang, wie sie gesetzlich verboten sind; nähere Informationen zu diesen Verboten finden Sie in Ihren örtlichen Gesetzen. Wir übernehmen keine Garantien für jene, die im Magnuson-Moss Warranty-Federal Trade Commission Improvement Act. 60 als "Kunden" definiert werden.

HAFTUNGSBESCHRÄNKUNG. In keinem Fall wird Mayku oder irgendjemand unserer jeweiligen Beauftragten, Direktoren, Angestellten, Anteilseigner, Stellvertreter, Nachfolger oder Rechtsnachfolger, oder irgendeine Partei, die an der Schaffung oder Produktion unserer Produkte beteiligt ist, für Sie oder für irgendjemand anderem aufgrund von irgendwelchen indirekten, speziellen, strafenden, zufälligen oder Folgeschäden (einschließlich und uneingeschränkt jener Schäden, die aufgrund von entgangenen Gewinnen oder Betriebsunterbrechungen entstanden sind) haften, die aufgrund des Gebrauchs und der Nichtverwendbarkeit entstehen, oder die Ergebnisse der Nutzung des Starterbuchs, der Hinweise zu den Folien, der Hinweise zu den Abgüssen und des Sicherheitsinformationsheftchens sind, ob auf Garantie, Vertrag, Vergehen oder irgendeiner Rechtstheorie basierend oder nicht, und unabhängig davon, ob das Unternehmen auf die Möglichkeit solcher Schäden hingewiesen wurde.

Die vorstehenden Haftungsbeschränkungen gelten nicht in dem Umfang, wie sie gesetzlich verboten sind; nähere Informationen zu diesen Verboten finden Sie in Ihren örtlichen Gesetzen.

Mayku
Studio 101,
Curtain House,
134 - 146 Curtain Rd, Shoreditch,
London,
EC2A 3AR

www.mayku.me
support@mayku.me

Información De Seguridad

Español

Gracias por comprar su primer producto Mayku, el FormBox. Si necesita más ayuda, por favor póngase en contacto escribiendo a support@mayku.me o visitando la página www.help.mayku.me

Este folleto le ayudará a utilizar de forma segura el FormBox, por favor vea nuestro manual de instrucciones adjunto o consulte el manual online en www.mayku.me/hello para comenzar y realizar su primer formulario.

Importante

Lea atentamente esta importante información antes de utilizar el FormBox, y consérvela para futuras consultas. No seguir todas y cada una de las instrucciones que se muestran a continuación puede provocar descargas eléctricas, incendios o lesiones personales graves. Mayku no asume ninguna responsabilidad por las lesiones causadas a uno mismo o a otras personas, ni por los daños producidos a las propiedades o en el FormBox; la garantía tampoco será aplicable en caso de que el FormBox o los materiales relacionados hayan sido utilizados de forma inadecuada o si no se han seguido correctamente las instrucciones.

Peligro

Antes de enchufar el FormBox en la fuente de alimentación, compruebe que el voltaje y el suministro de electricidad cumplen con las especificaciones indicadas en la placa de características del aparato. Podrá encontrar esta información en la pegatina situada en la parte trasera del aparato.

La placa de cerámica del calentador situada en la parte inferior de la unidad superior del FormBox puede calentarse mucho durante su funcionamiento y causar quemaduras graves. No toque el aparato mientras esté en funcionamiento.

Cuando esté siendo utilizado, las superficies justo debajo del calentador del FormBox pueden alcanzar temperaturas muy altas.

Cuando las hojas se calientan en el FormBox alcanzan temperaturas muy altas, no toque las hojas Mayku hasta que se hayan enfriado.

El FormBox funde hojas de plástico y otros materiales que pueden emitir humos y olores en circunstancias normales y cuando se sobrecalientan. Utilice siempre el FormBox en una zona bien ventilada.

Nunca cubra los orificios de ventilación de la parte superior, los laterales o los que están situados debajo del FormBox.

El FormBox no debe ser sumergido en agua, ya que cualquier contacto del agua con las piezas eléctricas puede provocar un mal funcionamiento del aparato y descargas eléctricas.

Para evitar el riesgo de descarga eléctrica, no sumerja el cable de alimentación, el enchufe ni ninguna otra pieza no extraíble del FormBox en agua ni ningún otro líquido.

Nunca permita que ningún líquido se introduzca en el interior del FormBox.

No utilice el FormBox con las manos húmedas.

No gire ni ponga en funcionamiento el FormBox colocándolo boca abajo o de lado.

El desmontaje del FormBox solo debe ser realizado por un especialista certificado de reparación de Mayku.

No se deben utilizar accesorios que no hayan sido específicamente recomendados por el fabricante, ya que pueden provocar lesiones personales o daños en el FormBox.

No cambie ninguna pieza del FormBox por otra de un fabricante distinto.

No utilice ningún material inflamable o que pueda resultar explosivo junto con el FormBox, como hojas o plantillas.

Tenga cuidado para no aplastar objetos ni piezas de la carcasa entre las dos bandejas del FormBox o entre la bandeja inferior y la base de la unidad.

No intente usar ninguna parte del cuerpo o seres vivos como plantillas en el FormBox.

Advertencia

Coloque siempre el FormBox en una superficie estable, lisa y resistente al calor. Asegúrese también de que la superficie puede soportar el peso del FormBox durante su uso.

No utilice el FormBox si el enchufe, el cable de alimentación o el aparato mismo presenta daños físicos, o si el aparato funciona de forma anormal de algún modo, o si el aparato se ha caído o ha estado expuesto al agua u otros líquidos.

No conecte una aspiradora a su FormBox que esté por encima de los 2000 vatios o que supere la potencia indicada en la parte trasera del aparato.

No utilice una aspiradora con el FormBox que presente daños físicos, o si el enchufe y/o el cable de alimentación de la aspiradora presenta daños físicos, o si la aspiradora funciona de forma anormal de algún modo, o si la aspiradora se ha caído o ha estado expuesta al agua u otros líquidos.

No intente conectar ningún aparato eléctrico que no sea una aspiradora utilizando la toma de corriente del FormBox.

Apague siempre el calentador del FormBox girando la rueda del calentador hasta la posición "OFF" después de utilizarlo, y deje que los ventiladores enfríen el calentador durante veinte minutos antes de desenchufar el aparato de la fuente de alimentación.

No deje que el cable de alimentación del FormBox entre en contacto con el calentador de cerámica de la parte superior del aparato cuando el calentador esté encendido o enfriándose.

No mueva ni levante el FormBox mientras se encuentre en funcionamiento o cuando esté conectado a la toma de corriente.

No deje desatendido el FormBox mientras esté en funcionamiento.

El FormBox no ha sido diseñado para ser utilizado por personas (incluidos los niños) con capacidades físicas, sensoriales o mentales reducidas, o que carezcan de la experiencia y el conocimiento necesario, a menos que cuenten con la debida supervisión o hayan recibido instrucciones con respecto al uso del aparato por una persona responsable de su seguridad.

Esta unidad FormBox puede ser utilizada por niños a partir de 8 años y por personas con capacidad física, sensorial o mental reducida o que carezcan de la experiencia y el conocimiento debido si cuentan con la correspondiente supervisión o instrucción con respecto al uso del aparato de forma segura y entienden todos los peligros envueltos.

Las tareas de limpieza y mantenimiento del FormBox no deben ser realizadas por niños a menos que tengan más de 8 años y estén supervisados.

No permita que los niños jueguen con el FormBox sin supervisión. El aparato no es un juguete.

Mantenga el FormBox y su cable de alimentación alejado de los animales y los niños, a menos que tengan más de ocho años, cuando el aparato esté encendido o se esté enfriando.

Se requiere una estrecha supervisión de los adultos cuando el FormBox está siendo utilizado por niños o se encuentra cerca niños.

No utilice el FormBox bajo la influencia de sustancias tóxicas.

No utilice el FormBox en el exterior.

Precaución

Los objetos colocados cerca del FormBox también pueden calentarse.

Compruebe regularmente el cable de alimentación del FormBox para ver si presenta daños. Si el cable de alimentación tiene algún daño, el fabricante o un agente de servicio técnico deberá cambiarlo para evitar el riesgo de descarga eléctrica.

Desenrolle completamente el cable de alimentación del FormBox antes de conectarlo en la toma de corriente.

No permita que el cable de alimentación del FormBox cuelgue sobre bordes afilados o esté en contacto con superficies calientes.

Asegúrese de que el FormBox esté apagado y extraiga el enchufe de la fuente de alimentación cuando no lo esté utilizando, antes de realizar la limpieza y mientras está siendo reparado.

Para desenchufar el FormBox y el aspirador conectado al FormBox, sujete firmemente el enchufe y extráigalo de la toma de corriente. No tire del cable.

No utilice hojas y materiales no certificados por Mayku con su FormBox.

Mayku no se hace responsable del uso de materiales experimentales y potencialmente peligrosos que sean utilizados como hojas o plantillas en el FormBox.

Mantenga limpia la placa de aspirado de su FormBox sacándola y lavándola con agua caliente con jabón.

Mantenga su FormBox limpio pasando un paño húmedo y no abrasivo.

Mantenga los rodamientos de su FormBox bien mantenidos aplicando aceite lubricante de forma regular para evitar el desgaste.

Si entrega el FormBox a otra persona, asegúrese de que también le entrega este manual de instrucciones junto con el producto.

Certificación

Declaración de cumplimiento de la EU

Mayku Limited declara que este producto cumple con los requisitos básicos y otras disposiciones relevantes de la Directiva de bajo voltaje 14/35/EU, la Directiva de compatibilidad electromagnética 2014/30/EU, la Directiva RoHS 2011/65/EU, la Directiva REACH EC 1907/2006 y todas las demás directivas de la EU aplicables. Hay disponible una copia de la declaración de conformidad de la EU en www.mayku.me/compliance/eu.



Declaración de conformidad FCC

Este dispositivo cumple con la Parte 15 de las normas FCC. La operación está sujeta a las siguientes dos condiciones:

1. este dispositivo no puede causar interferencias perjudiciales, y
2. este dispositivo debe aceptar cualquier interferencia que reciba, incluidas las interferencias que puedan causar un funcionamiento no deseado.

NOTA: Este equipo ha sido probado y cumple con los límites para los dispositivos digitales de clase B, en conformidad con la Parte 15 de las normas FCC. Estos límites han sido establecidos para ofrecer una protección razonable contra las interferencias perjudiciales en una instalación residencial.

Este equipo genera, utiliza y puede irradiar energía de radiofrecuencia y, si no se instala y utiliza de acuerdo con las instrucciones, puede causar interferencias perjudiciales en las comunicaciones de radio.

Sin embargo, no hay garantía de que no se vayan a producir interferencias en una instalación en particular. Si este equipo causa interferencias que afecten a la recepción de ondas de radio o televisión, que se puede determinar encendiendo y apagando el equipo, se recomienda que el usuario intente eliminar las interferencias siguiendo una o varias de las medidas que se

muestran a continuación:

Cambie la orientación o mueva de posición la antena.

Aumente la separación entre el equipo y el receptor.

Conecte el equipo en una toma de corriente de un circuito distinto al que esté conectado el receptor.

Consulte con el distribuidor o con un técnico experimentado de radio o TV para obtener ayuda.

Advertencia: Los cambios o modificaciones realizadas en esta unidad que no hayan sido expresamente aprobadas por la parte responsable de su cumplimiento pueden anular el derecho del usuario a operar el equipo.

Información regional sobre desechos y reciclaje

Este símbolo indica que este producto no debe ser eliminado junto con los desechos domésticos normales. Cuando se deshaga de este producto deberá hacerlo de acuerdo con las leyes y directrices locales sobre medio ambiente. Para obtener más información sobre cómo desechar este producto, por favor póngase en contacto con la autoridad local, el servicio de desechos o directamente con Mayku.



Compromiso medioambiental de Mayku

En Mayku estamos trabajando para lograr un futuro sostenible. Un futuro en el que las personas tengan la capacidad de crear y no solo de consumir. Tenemos en cuenta el impacto en el medio ambiente de cada producto que hacemos, así como los materiales con los que trabajamos. Por esta razón las hojas Mayku están compuestas de todo el material reciclable posible sin poner en peligro su calidad. También nos aseguramos de que sean totalmente reciclables, para que pueda colocarlas en el recipiente correspondiente para los desechos domésticos normales. Más que una compañía de maquinaria, Mayku es una comunidad de creadores. Y necesitamos su ayuda, deseamos que se una a nosotros en crear un futuro sostenible. Por favor, ayúdenos a cuidar de nuestro medio ambiente reciclando los productos Mayku y los consumibles siempre que sea posible.

Garantía Del Producto

Garantía limitada exclusiva

Las obligaciones de la garantía Mayku para todos los productos de hardware vendidos por Mayku están limitados a los términos y condiciones que se establecen a continuación. Para poder disfrutar de esta garantía limitada exclusiva, los productos de hardware deberán ser comprados mediante Mayku o mediante un distribuidor autorizado de Mayku con una prueba de compra válida. Mayku garantiza los productos de hardware de la marca Mayku contra defectos en los materiales y la mano de obra con un uso normal durante un período de dos años desde la fecha de compra por el comprador original ("período de garantía"). Los productos de hardware incluyen el FormBox y/o cualquier versión hecha de fábrica del producto antes mencionado.

Si se produce un defecto de hardware y se recibe una reclamación válida dentro del período de garantía, de acuerdo con nuestro propio criterio y en la medida permitida por la ley, Mayku procederá a 1) reparar el defecto de hardware sin costo adicional, utilizando piezas de repuesto nuevas o reparadas, 2) cambiará el producto de hardware por otro producto de hardware que sea nuevo o reparado por Mayku o que haya sido fabricado a partir de piezas nuevas o usadas que aún sean útiles y que tengan las mismas funciones que el producto de hardware original, o 3) reembolsará el precio de la compra del producto de hardware.

Cuando se cambia un producto o una pieza de hardware, cualquier elemento cambiado pasa a ser de su propiedad y el elemento cambiado pasa a ser propiedad de Mayku. Las piezas proporcionadas por Mayku en el cumplimiento de sus obligaciones de garantía deberán ser utilizadas en los productos de hardware para los que se solicita el servicio de garantía. Cuando se concede un reembolso, el producto de hardware para el que se proporciona el reembolso deberá ser devuelto a Mayku a menos que se indique lo contrario.

Exclusiones y limitaciones de la garantía

Esta garantía limitada solo aplica a los productos de hardware fabricados por Mayku que puedan ser identificados con el logotipo "Mayku" adherido a ellos. La garantía limitada no aplica a ningún producto de hardware que no sea de Mayku. Mayku no garantiza que el

funcionamiento del producto de hardware sea ininterrumpido o esté libre de errores. Mayku no se hace responsable por los daños que se deriven por el incumplimiento de las instrucciones relacionadas con el uso del producto de hardware.

Esta garantía no aplica: a) los daños causados por accidentes, abuso, uso indebido, inundación, incendio, terremoto u otras causas externas; b) los daños causados por la operación del producto de hardware con un fin distinto al previsto tal y como establece Mayku; c) los daños causados por el mantenimiento (incluidas las actualizaciones y extensiones) realizadas por cualquier persona que no sea un representante de Mayku; d) los productos de hardware o las piezas que hayan sido modificadas o que alteren la funcionalidad o la capacidad sin el consentimiento escrito de Mayku e) los consumibles, a menos que el daño haya sido producido debido a un defecto en los materiales o mano de obra; o f) daños cosméticos, incluyendo, aunque no limitado, a arañazos y abolladuras.

ESTA GARANTÍA LE OTORGA DERECHOS LEGALES, Y TAMBIÉN PUEDE TENER OTROS DERECHOS QUE VARIÉN DE UN ESTADO A OTRO O DE UN PAÍS A OTRO. LA RESPONSABILIDAD DE MAYKU POR LOS DEFECTOS DE HARDWARE ESTÁ LIMITADA A LAS REPARACIONES O SUSTITUCIONES DE MANTENIMIENTO TAL Y COMO ESTABLECE MAYKU A SU PROPIO CRITERIO.

Renuncia de garantía; limitación de responsabilidad

A excepción de lo estipulado explícitamente en estas condiciones, no garantizamos, representamos ni avalamos que el uso de nuestro servicio o de algún producto de hardware Mayku sea ininterrumpido, puntual, seguro o esté libre de errores. No garantizamos que los resultados que puedan ser obtenidos del uso del servicio o del producto de hardware sean exactos o fiables. Usted acepta que de vez en cuando podremos eliminar el servicio durante períodos indefinidos de tiempo o cancelar el servicio en cualquier momento y sin previo aviso.

Obtención del servicio de garantía

Por favor, póngase en contacto con Mayku escribiendo a support@mayku.me y podremos ofrecerle asistencia. Necesitaremos que nos ayude a realizar un diagnóstico de los problemas con su producto de hardware para que podamos asistirle.

Las opciones de mantenimiento, disponibilidad de piezas de repuesto y los tiempos de respuesta pueden variar. Las opciones de mantenimiento están sujetas a modificaciones en cualquier momento. De acuerdo con la legislación aplicable, Mayku puede exigirle que presente los comprobantes de compra antes de recibir el servicio de garantía.

Condiciones

Por favor, tenga en cuenta las siguientes condiciones (las "condiciones") relacionadas con el Libro de inicio (el "libro de inicio"), las instrucciones de la hoja de formulario (las "instrucciones de la hoja del formulario"), las instrucciones de la hoja colada (las "instrucciones de la hoja colada"), y el folleto de información de seguridad (el "folleto de información de seguridad") que vienen junto con el equipo FormBox: Toda la información que aparece en el libro de inicio, las instrucciones de la hoja del formulario, las instrucciones de la hoja colada y el folleto de información de seguridad están sujetas a modificaciones que podrán ser realizadas en cualquier momento y sin previo aviso, y que se harán solo para fines de mejora. Mayku se reserva el derecho a modificar o revisar el libro de inicio, las instrucciones de la hoja del formulario, las instrucciones de la hoja colada y el folleto de Información de seguridad según su exclusivo criterio y en cualquier momento. Usted acepta cualquier modificación y/o revisiones que puedan producirse. Póngase en contacto con el departamento de atención al cliente de Mayku para obtener información actualizada. El diseño del libro de inicio, las instrucciones de la hoja de formulario, las instrucciones de la hoja colada y el folleto de información de seguridad y todos los textos, gráficos, información, contenido y demás material están protegidos por los derechos de autor y otras legislaciones. Los contenidos están protegidos por derechos de autor de 2017, 2018 Mayku, LTD, o por nuestros correspondientes socios y proveedores. Todos los derechos reservados. Algunas marcas comerciales, nombres comerciales, marcas de servicio y logotipos (las "marcas") utilizadas en el libro de inicio, las instrucciones de la hoja de formulario, las instrucciones de la hoja colada y el folleto de información de seguridad son marcas, nombres comerciales y marcas de servicio registradas y no registradas de Mayku y sus asociados. Ninguna información que aparezca en el libro de inicio, las instrucciones de la hoja de formulario, las instrucciones de la hoja colada y el folleto de información de seguridad otorga o puede ser considerado como otorgante, ya sea de forma implícita, por preclusión o de otro modo como licencia o derecho de uso de ninguna marca sin el consentimiento escrito de Mayku. Cualquier uso no autorizado de cualquier información, material o marca puede violar las leyes de derechos de autor, leyes de marcas comerciales, leyes de privacidad y publicidad y/u otras leyes y normativas. **DESCARGO DE RESPONSABILIDAD.** Ni Mayku ni ninguno de nuestros asociados garantiza la exactitud o integridad de la información, productos o servicios proporcionados o presentados en el libro de inicio, las instrucciones de la hoja del formulario, las instrucciones de la hoja colada y el folleto de información de seguridad, que será ofrecida "en su estado" y sin garantías expresas o implícitas de ningún tipo, incluidas las garantías de comerciabilidad, idoneidad para un fin en particular o el cumplimiento de las leyes de propiedad intelectual. Hasta donde lo permita la ley aplicable, renunciamos a toda responsabilidad por cualquier defecto o fallo en el producto o por las reclamaciones que sean debidas al desgaste normal, el mal uso o abuso del producto, las modificaciones realizadas en el producto, la selección inadecuada del producto, el incumplimiento de los correspondientes códigos o la apropiación

indebida. Hasta donde lo permita la ley aplicable, renunciamos a toda responsabilidad, riesgo, obligación y daños causantes de muerte o lesiones personales derivados del montaje u operación de nuestros productos. Las exclusiones anteriores no aplican en la medida que limite la legislación correspondiente; por favor, consulte la legislación local para determinar dichas limitaciones. No concedemos ninguna garantía a los individuos definidos como "consumidores" en la Ley de mejora de la comisión federal de comercio Magnuson-Moss, punto 60 de las LIMITACIONES DE RESPONSABILIDAD. En ningún caso Mayku ni ninguno de nuestros agentes, directores, empleados, accionistas, asociados, funcionarios, sucesores o cesionarios, ni ninguna parte que esté involucrada en la creación o producción de nuestros productos, será responsable ante usted u otra entidad con respecto a ningún daño indirecto, especial, punitivo, fortuito o consecuente (incluido, y sin limitación, los que puedan resultar en pérdida de beneficios o interrupción del negocio) surgidos del uso, incapacidad de uso, o los resultados de uso del libro de inicio, las instrucciones de la hoja de formulario, las instrucciones de la hoja colada y el folleto de información de seguridad, ya sea que estén basados en una garantía, contrato, agravio u otra teoría legal, y ya sea que haya sido informada o no la posibilidad de tales daños. Las limitaciones anteriores de responsabilidad no se aplican en la medida que lo exija la ley correspondiente; por favor, consulte su legislación local para determinar dichas limitaciones.

Mayku
Studio 101,
Curtain House,
134 - 146 Curtain Rd, Shoreditch,
London,
EC2A 3AR

www.mayku.me
support@mayku.me

Consignes De Securite

Français

Merci d'avoir acheté votre premier produit Mayku : la FormBox. Si vous avez besoin d'une aide supplémentaire, n'hésitez pas à nous contacter à support@mayku.me ou à consulter le site www.help.mayku.me

Cette brochure est là pour garantir que vous utilisiez la FormBox en toute sécurité. Veuillez-vous référer à notre manuel d'instructions inclus ou consulter notre manuel en ligne sur www.mayku.me/hello pour commencer et réaliser votre première forme.

Important

Lisez attentivement ces informations importantes avant d'utiliser votre FormBox, et conservez-les en vue d'une consultation future. Le non-respect de toutes les instructions ci-dessous pourrait entraîner un choc électrique, un incendie ou de graves dommages corporels. Mayku n'accepte aucune responsabilité concernant des blessures sur vous-mêmes ou sur des tiers, ni concernant des dommages matériels ou sur la FormBox. La garantie ne s'appliquera pas non plus si la FormBox et les matériels connexes sont utilisés de manière inappropriée ou si les instructions ne sont pas suivies correctement.

Danger

Avant de brancher la FormBox sur l'alimentation électrique secteur, vérifiez que la tension et l'alimentation électrique sont conformes aux spécifications indiquées sur la plaque signalétique de l'appareil. Vous trouverez cette information sur l'autocollant situé à l'arrière de la machine.

La plaque céramique du radiateur située sous l'unité supérieure de la FormBox peut devenir extrêmement chaude en cours de fonctionnement et occasionner de graves brûlures. Ne pas toucher lorsqu'elle est en cours de fonctionnement.

En cours de fonctionnement, les surfaces placées directement sous le radiateur de la FormBox deviennent très chaudes.

Quand les feuilles sont chauffées dans la FormBox, elles deviennent très chaudes. Ne touchez pas les feuilles Mayku avant qu'elles n'aient refroidi après utilisation.

La FormBox fait fondre des feuilles en plastique et d'autres matériaux pouvant dégager des vapeurs et des odeurs dans des circonstances normales et si elles sont surchauffées. Utilisez toujours la FormBox dans un endroit bien ventilé.

Ne recouvrez jamais les orifices de ventilation situés sur le dessus, sur les côtés ou en dessous de la FormBox.

La FormBox ne doit pas être immergée dans l'eau, car tout contact avec les composants électriques engendrera un risque de dysfonctionnement et de choc électrique.

Pour prévenir le risque de choc électrique, n'immergez pas le câble d'alimentation, la prise de courant, ou toute autre partie non-amovible de la FormBox dans l'eau ou dans tout autre liquide.

Ne laissez jamais un liquide quelconque se renverser sur ou à l'intérieur de la FormBox.

N'utilisez pas la FormBox lorsque vous avez les mains mouillées.

Ne mettez pas et ne faites pas fonctionner la FormBox en position renversée ni sur le côté.

Le démontage de la FormBox doit être effectué uniquement par un spécialiste réparateur certifié Mayku.

Les pièces ne doivent pas être utilisées si elles ne sont pas spécifiquement recommandées par le constructeur, sans quoi elles peuvent engendrer des dommages corporels ou endommager la FormBox.

Ne remplacez aucune pièce de la FormBox par un composant tiers.

N'utilisez pas de matériaux inflammables ou potentiellement explosifs en même temps que la FormBox, les feuilles ou les modèles.

Soyez vigilants aux objets fragiles et aux parties du corps se trouvant entre les deux plaques de la FormBox ou entre la plaque inférieure et la base de l'appareil.

N'essayez pas d'utiliser des parties du corps ou des êtres vivants comme modèles dans la FormBox.

Avertissement

Placez toujours la FormBox sur une surface stable, plate, thermorésistante. Assurez-vous également que la surface puisse supporter le poids de la FormBox pendant son utilisation.

N'utilisez pas la FormBox si la prise, le câble d'alimentation ou la machine elle-même présente des signes de dommages matériels, si la machine fonctionne de manière anormale, si on l'a faite tomber ou si elle a été exposée à l'eau ou à tout autre liquide.

Ne branchez pas sur votre FormBox un aspirateur d'une puissance supérieure à 2000 watts ou d'une puissance supérieure à la puissance électrique indiquée au dos de la machine.

N'utilisez pas un aspirateur avec une FormBox présentant des signes de dommages matériels, ou si la prise et/ou le câble d'alimentation de l'aspirateur présente des signes de dommages matériels, ou si l'aspirateur fonctionne de manière anormale ou si l'aspirateur est tombé ou s'il a été exposé à l'eau ou à tout autre liquide.

N'essayez pas de faire fonctionner un élément électrique autre qu'un aspirateur en utilisant la puissance de la prise de sortie alimentation de la FormBox.

Eteignez toujours le radiateur de la FormBox après utilisation et laissez les ventilateurs le refroidir pendant vingt minutes avant d'éteindre le commutateur.

Ne laissez pas le câble d'alimentation de la FormBox entrer en contact avec le radiateur en céramique situé sur le haut de la machine lorsqu'il est allumé ou en train de refroidir.

Ne déplacez pas et ne soulevez pas la FormBox lorsqu'elle fonctionne ou lorsqu'elle est branchée sur une prise électrique.

Ne laissez pas la FormBox sans surveillance lorsqu'elle est en cours de fonctionnement.

La FormBox n'est pas destinée à être utilisée par des personnes aux capacités physiques, sensorielles ou mentales réduites (dont des enfants) ou par des personnes manquant d'expérience ou de connaissance, sauf si elles sont sous la surveillance d'une personne responsable de leur sécurité ou ont reçu des consignes au sujet de l'utilisation de l'appareil de la part d'une telle personne.

Cette FormBox peut être utilisée par des enfants de 8 ans et plus et par des personnes aux capacités physiques, sensorielles et mentales réduites ou manquant d'expérience et de connaissance si elles sont sous surveillance ou ont reçu des instructions pour utiliser l'appareil d'une manière sécurisée et ont compris les risques possibles.

Le nettoyage et l'entretien de la FormBox à la charge de l'utilisateur ne doivent pas être effectués par des enfants de moins de 8 ans non supervisés.

Ne laissez pas des enfants jouer avec la FormBox sans surveillance. Ce n'est pas un jouet.

Conservez la FormBox et son câble d'alimentation hors de portée des animaux et des enfants de moins de 8 ans lorsque la machine est allumée ou en train de refroidir.

L'étroite surveillance d'un adulte est nécessaire lorsque la FormBox est utilisée par des enfants ou près d'enfants.

N'utilisez pas la FormBox en étant sous l'influence d'une quelconque substance intoxicante.

N'utilisez pas la FormBox en extérieur.

Attention

Les objets placés près de la FormBox peuvent également chauffer.

Contrôlez régulièrement et attentivement que le cordon d'alimentation de la FormBox n'ait pas subi de dommages. Si le cordon d'alimentation est endommagé d'une quelconque façon, le fabricant ou son agent de maintenance doit le remplacer afin de prévenir un risque électrique.

Déroulez entièrement le câble d'alimentation de la FormBox avant de le brancher dans la prise électrique murale.

Ne laissez pas le cordon d'alimentation de la FormBox suspendu sur des angles de table pointus ou entrer en contact avec des surfaces chaudes.

Vérifiez que la FormBox soit éteinte et retirez la prise de l'alimentation électrique secteur lorsqu'elle n'est pas utilisée, avant de la nettoyer et lorsqu'elle est en réparation.

Pour débrancher la FormBox et l'aspirateur branché à la FormBox, tirez fermement sur la prise et retirez-la de l'alimentation électrique. Ne tirez pas sur le cordon.

N'utilisez pas de feuilles ou de matériaux non-certifiées Makyu pour votre FormBox.

Mayku n'est pas responsable en cas d'utilisation de tout matériau expérimental et potentiellement dommageable utilisé comme feuille ou modèle dans la FormBox.

Conservez la plaque aspirante de votre FormBox propre : enlevez-la et nettoyez-la à l'eau savonneuse chaude.

Conservez votre FormBox propre en la nettoyant avec un chiffon humide non abrasif.

Veillez à ce que les roulements de votre FormBox soient bien entretenus en appliquant régulièrement de l'huile lubrifiante afin d'éviter l'usure.

Si vous confiez la FormBox à une tierce personne, assurez-vous que ce manuel d'instructions de sécurité soit fourni avec le produit.

Certification

Déclaration de Conformité EU

Mayku Limited déclare par la présente que ce produit est conforme aux exigences essentielles et autres dispositions pertinentes de la Directive Basse tension 2014/35/EU, la Directive 2014/30/EU sur la Compatibilité Electromagnétique, La Directive RoHS 2011/65/EU, La Directive REACH EC 1907/2006 ainsi qu'à toutes les autres exigences des directives européennes. Une copie de la Déclaration de Conformité EU est disponible à www.mayku.me/compliance/eu.



Déclaration de Conformité FCC

Cet appareil est conforme à la Partie 15 des Règles de la FCC. Le fonctionnement est soumis aux deux conditions suivantes :

1. cet appareil ne doit pas causer d'interférences nuisibles et,
2. cet appareil doit accepter toute interférence reçue, y compris celles qui pourraient entraîner un fonctionnement non souhaité.

NOTE : Cet appareil a été testé et reconnu conforme aux limites pour un appareil numérique de Classe B, conformément à la Partie 15 des Règles de la FCC. Ces limites visent à fournir une protection raisonnable contre des interférences nuisibles dans une installation résidentielle.

L'équipement produit, utilise et peut émettre de l'énergie de fréquences radio. S'il n'est pas installé et utilisé conformément aux instructions, il peut provoquer des interférences nuisibles aux communications radio.

Toutefois, rien ne peut garantir que ces interférences ne se produiront pas dans une installation particulière. Si cet appareil est source d'interférences nuisibles à la réception des signaux radio ou télévision – pouvant être déterminés en éteignant puis en rallumant le matériel -, l'utilisateur est encouragé à tenter de corriger ces interférences en adoptant une ou plusieurs des mesures ci-dessous :

Réorienter ou repositionner l'antenne de réception.

Augmenter la distance séparant l'équipement du récepteur.

Brancher l'appareil sur une prise de courant sur un circuit différent de celui sur lequel le récepteur est branché.

Contactez le revendeur ou un technicien qualifié pour obtenir de l'aide.

Avertissement : Tout changement ou modification apportés à cet appareil n'ayant pas été expressément validés comme conforme par la partie responsable pourrait faire perdre à l'utilisateur son droit à utiliser l'équipement.

Disposition Régionale et Informations relatives au Recyclage

Ce symbole indique que ce produit ne doit pas être jeté avec les ordures ménagères usuelles. Lorsque vous vous débarrassez de ce produit, vous devez le faire conformément aux lois et directives environnementales. Pour plus d'informations sur l'élimination correcte de ce produit, veuillez contacter votre autorité locale, service de traitement des déchets ou Mayku directement.



Engagement Environnemental Mayku

A Mayku, nous travaillons à l'établissement d'un avenir durable. Un avenir dans lequel les personnes auront le pouvoir de créer et non uniquement celui de consommer. Nous prenons en compte l'impact environnemental de chaque produit que nous fabriquons ainsi que des matériaux qui fonctionnent avec eux. C'est pourquoi les feuilles Mayku sont fabriquées avec le plus de contenu recyclé possible sans que cela ne compromette leur qualité. Nous avons aussi veillé à ce qu'elles soient entièrement recyclables – pour que vous puissiez les déposer au recyclage de déchets ménagers habituel. Plus qu'une entreprise de machines, Mayku est une communauté de Créateurs. Et nous avons besoin de vous – nous avons besoin que vous vous joigniez à nous pour œuvrer à la création d'un avenir durable. S'il vous plaît, aidez-nous à prendre soin de notre environnement en recyclant des produits et consommables Mayku dès que cela s'avère possible.

Garantie Du Produit

Garantie Limitée et Exclusive

Les obligations de garantie Mayku concernant tout matériel Informatique vendu par Mayku sont limitées par les termes exposés ci-dessous. Pour pouvoir bénéficier de cette Garantie Limitée Exclusive, le matériel Informatique doit être acheté chez Mayku ou chez un Revendeur Agréé Mayku avec une Preuve d'Achat valide.

Mayku garantit le Matériel Informatique de marque Mayku en ce qui concerne les défauts de matériau et de fabrication, dans le cadre d'une utilisation dans des conditions normales, pendant une période de deux ans à partir de la date d'achat effectué par l'utilisateur initial (« Période de Garantie »). Le Matériel Informatique inclut la FormBox et/ou toute version du Produit susmentionné reconditionné en usine.

En cas d'apparition d'un défaut de matériel et si une demande valide est reçue pendant la période de garantie, à notre seule discrétion et dans la mesure permise par la loi, Mayku pourra soit 1) réparer le défaut de matériel sans frais en utilisant des pièces de remplacements neuves ou remises à neuf, 2) échanger le Matériel Informatique contre un Matériel Informatique neuf ou remis à neuf par Mayku ou ayant été fabriqué à partir de pièces neuves ou des pièces usagées utilisables et étant au moins fonctionnellement équivalents au Matériel Informatique d'origine, ou 3) rembourser le prix d'achat du Matériel Informatique.

Lorsqu'un Matériel Informatique ou une partie de ce matériel est échangée, tout article de remplacement devient votre propriété et le produit remplacé devient la propriété de Mayku. Les pièces fournies par Mayku pour respecter son obligation de garantie doivent être utilisées sur du Matériel Informatique pour lequel le service de garantie est invoqué. En cas de remboursement accordé, le Matériel Informatique faisant objet du remboursement doit être retourné à Mayku sauf spécification contraire.

Limitations et Exclusions de Garantie

Cette Garantie Limitée s'applique uniquement au Matériel Informatique fabriqué par ou pour Mayku et pouvant être identifié par le logo "Mayku" lui étant apposé. La Garantie Limitée ne s'applique pas à tout Matériel Informatique non-Mayku.

Mayku ne garantit pas que le fonctionnement du Matériel Informatique se fera de manière ininterrompue ou sera exempt d'erreurs. Mayku n'est pas responsable des dommages résultant d'un manquement aux instructions relatives à l'utilisation du Matériel Informatique.

Cette garantie ne s'applique pas aux a) dommages causés par accidents, abus, mauvaise utilisation, inondation, incendie, tremblement de terre ou autres causes externes, b) dommages engendrés par un fonctionnement du Matériel Informatique en dehors des usages permis ou prévus décrits par Mayku, c) aux dommages causés par le service (incluant les mises à jour et les expansions) réalisés par quiconque n'étant pas un représentant de Mayku, d) à un Matériel Informatique ou une partie du Matériel Informatique qui aurait été modifiée pour altérer la fonctionnalité ou la capacité sans la permission écrite de Mayku, e) aux consommables, sauf si le dommage s'est produit en raison d'un défaut de matériau ou de fabrication ou f) aux dommages esthétiques, incluant, mais sans s'y limiter rayures, entailles.

CETTE GARANTIE VOUS CONFERE DES DROITS LEGAUX SPECIFIQUES, ET PEUT EGALEMENT VOUS CONFERER D'AUTRES DROITS VARIANT D'UN ETAT OU D'UN PAYS A L'AUTRE. LA RESPONSABILITE MAYKU CONCERNANT DES DEFAUTS DE MATERIEL INFORMATIQUE EST LIMITEE A UN SERVICE DE REPARATION OU DE REMPLACEMENT COMME DETERMINE PAR MAYKU A SA SEULE DISCRETION.

Exclusion de garanties, Limitation de Responsabilité

Sauf si cela est expressément prévu par ces termes, nous ne garantissons, ne représentons pas et ne certifions pas que votre utilisation de notre service ou tout Matériel Informatique Mayku fonctionnera de manière ininterrompue, de manière opportune ou sécurisée ou sans erreur. Nous ne garantissons pas que les résultats pouvant être obtenus par l'utilisation du service ou du Matériel Informatique soit précise ou fiable. Vous acceptez que, de temps à autre, nous puissions supprimer le service pour des durées de temps indéterminées ou annuler le service à tout moment, sans vous en tenir informés.

Bénéficiaire des Services de Garantie

Veuillez contacter Mayku à support@mayku.me et nous pourrons vous aider. Nous aurons besoin que vous nous aidiez sur des questions de diagnostic liées à votre Matériel Informatique.

Les options de Service, la disponibilité des pièces, et le temps de réponse peuvent varier. Les options de Service peuvent être modifiées à tout moment. Conformément à la loi applicable, Mayku peut avoir besoin que vous fournissiez une preuve des détails relatifs à l'achat avant de vous faire bénéficier du service de garantie.

Conditions

Veillez lire attentivement les conditions suivantes (les « Termes ») concernant le Livret de Démarrage (le « Livret de Démarrage »), Les Instructions relatives aux Feuilles de Forme (les « Instructions relatives aux Feuilles de Forme »), les Instructions relatives au Moulage des Feuilles (les « Instructions relatives au Moulage des Feuilles »), et le livret de Consignes de Sécurité, (le « Livret de Consignes de Sécurité ») inclus dans l'emballage de la FormBox : Toutes les informations comprises dans le Livret de Démarrage, les Instructions relatives aux Feuilles de Forme, les Instructions relatives au Moulage des Feuilles et dans le livret de Consignes de Sécurité peuvent être modifiées à tout moment sans préavis et sont fournies uniquement à des fins pratiques. Mayku se réserve le droit de modifier ou de réviser le Livret de Démarrage, les Instructions relatives aux Feuilles de Forme, les Instructions relatives au Moulage des Feuilles et le Livret de Consignes de Sécurité à sa seule discrétion et à tout moment. Vous acceptez d'être lié par ces modifications et/ou révisions. Contactez Mayku Assistance pour recevoir des informations à jour. La conception du Livret de Démarrage, des Instructions relatives aux Feuilles de Forme, des Instructions relatives au Moulage des Feuilles et du livret de Consignes de Sécurité ainsi que celle de tous les textes, graphiques, informations, contenus et autres matériaux, est protégée par le copyright et d'autres lois. Les contenus sont protégés par le copyright 2017, 2018 Mayku, LTD, ou bien à nos affiliés ou fournisseurs respectifs. Tous droits réservés. Certains noms commerciaux, marques de commerce, marques de service et logos (les « Marques ») utilisées dans le Livret de Démarrage, les Instructions relatives aux Feuilles de Forme, les Instructions relatives au Moulage des Feuilles, et le Livret de Consignes de Sécurité sont des marques déposées et non déposées, des noms commerciaux et des marques de service de Mayku et de ses affiliés. Aucun élément contenu dans le Livret de Démarrage, les Instructions relatives aux Feuilles de Forme, les Instructions relatives au Moulage des Feuilles, et dans le Livret de Consignes de Sécurité n'autorise ou ne devrait être interprété comme confèrent, implicitement, par préclusion ou d'une autre manière, une quelconque licence ou droit d'utiliser une quelconque Marque sans la permission écrite de Mayku. Toute utilisation non autorisée d'information, matériaux ou marques, est susceptible d'enfreindre les lois sur le copyright, les lois sur les marques, les lois sur la vie privée et la publicité et/ou d'autres lois et règlements. CLAUSES DE NON RESPONSABILITE. Ni Mayku ni aucun de nos affiliés ne garantit l'exactitude ni l'exhaustivité des informations, produits ou services fournis directement ou indirectement par le Livret de Démarrage, les Instructions relatives aux Feuilles de Forme, les instructions relatives aux Moulage des Feuilles ni par le Livret de Consignes de Sécurité, fournis « en l'état » et sans aucune garantie expresse ou implicite, incluant des garanties de qualité marchande ou d'adéquation à un usage particulier ou de non violation de la propriété intellectuelle. Dans toute la mesure permise par les lois en vigueur, nous déclinons toute responsabilité concernant tout défaut ou défaillance liés au produit ou pour des réclamations dans des conditions d'usure normale, utilisation incorrecte ou abusive du produit, modification du produit, sélection inappropriée de produits, non-conformité aux règlements ou appropriation

illicite. Dans toute la mesure permise par les lois en vigueur, nous déclinons toute responsabilité, risque, responsabilité et dommages pouvant découler de toute mort ou dommages corporels pouvant résulter du montage ou du fonctionnement de nos produits. Les exclusions précédentes ne s'appliquent pas à la limite posée par la loi, veuillez-vous référer à vos lois locales pour de telles interdictions. Nous n'offrons aucune garantie aux personnes définies comme « consommateurs » selon la loi Magnuson-Moss Warranty-Federal Trade Commission, les termes 60 LIMITES DE RESPONSABILITE. En aucun cas, Mayku ou aucun de ses dirigeants, directeurs, employés, actionnaires, affiliés, agents, successeurs ou bénéficiaires respectifs, ni aucune partie impliquée dans la création ou production de produits, ne peuvent être tenus pour responsables envers vous ou quiconque pour tout dommage indirect, spécial, punitif, fortuit ou consécutif (incluant, sans s'y limiter, ceux résultant de pertes de bénéfices ou d'interruption des activités commerciales) découlant de l'utilisation, l'incapacité à utiliser ou résultant de l'utilisation du Livret de Démarrage, des instructions relatives aux Feuilles de Forme, instructions relatives au Moulage des Feuilles et du livret de Consignes de Sécurité, se basant sur la garantie, le contrat, le délit ou toute autre théorie légale et que vous soyez avertis ou non de la possibilité de tels dommages. Les limites de responsabilité mentionnées ci-dessus ne s'appliquent pas à la législation possible, veuillez-vous référer à vos lois locales pour de telles interdictions.

Mayku
Studio 101,
Curtain House,
134 - 146 Curtain Rd, Shoreditch,
London,
EC2A 3AR

www.mayku.me
support@mayku.me

Informazioni Sulla Sicurezza Italiano

Grazie per aver acquistato il tuo primo prodotto Mayku, The FormBox. Se hai bisogno di altri tipi di supporto, non esitare a metterti in contatto con support@mayku.me o visitare www.help.mayku.me

Questo opuscolo ti assicura di utilizzare il prodotto FormBox in modo sicuro, per iniziare e creare la tua prima forma consulta il nostro manuale di istruzioni incluso nella confezione o visita il nostro manuale online all'indirizzo www.mayku.me/hello.

Importante

Leggi attentamente queste importanti informazioni prima di utilizzare il FormBox e conservale per qualsiasi riferimento futuro. La mancata osservanza di tutte le istruzioni elencate può provocare scosse elettriche, incendi o gravi lesioni personali. Mayku non assume alcuna responsabilità per danni causati a sé stessi o agli altri, o danni alla proprietà o al FormBox, né applicherà la garanzia qualora FormBox e relativi materiali vengano utilizzati in modo inappropriato o nei casi in cui le istruzioni non vengano seguite correttamente.

Pericolo

Prima di collegare il FormBox alla rete elettrica, verificare che la tensione e l'alimentazione siano conformi alle specifiche riportate sulla targhetta dell'apparecchio. Troverai queste informazioni sull'adesivo posto sul retro della macchina.

La piastra in ceramica del riscaldatore sul lato inferiore dell'unità superiore del FormBox può diventare estremamente calda durante il funzionamento e causare gravi ustioni. Non toccare durante il funzionamento.

Durante l'uso, le superfici direttamente sotto il riscaldatore del FormBox diventeranno molto calde.

Quando i fogli vengono riscaldati nel FormBox diventeranno molto caldi, non toccare i fogli Mayku finché non si saranno raffreddati dopo l'uso.

FormBox fonde fogli di plastica e altri materiali che possono emettere fumi e odori in circostanze normali e in caso di surriscaldamento. Utilizzare sempre FormBox in un'area ben ventilata.

Non coprire mai i fori di ventilazione nella parte superiore, laterale o inferiore del FormBox.

FormBox non deve essere immerso in acqua, in quanto qualsiasi contatto con le parti elettriche potrebbe creare il rischio di malfunzionamenti e scosse elettriche.

Per evitare il rischio di scosse elettriche, non immergere il cavo di alimentazione, la spina o qualsiasi parte non rimovibile del FormBox in acqua o in altri liquidi.

Non permettere mai che alcun liquido venga a contatto o penetri all'interno del FormBox.

Non utilizzare il FormBox con le mani bagnate.

Non orientare o utilizzare il FormBox capovolto o coricato su un lato.

Lo smontaggio di FormBox deve essere eseguito solo da uno specialista certificato di riparazione Mayku.

Non utilizzare accessori, non espressamente raccomandati dal produttore, in quanto il loro uso può causare lesioni personali o danni al FormBox.

Non sostituire alcuna parte di FormBox con un componente di terze parti.

Non utilizzare materiali infiammabili o potenzialmente esplosivi in combinazione con il FormBox come fogli o modelli.

Prestare attenzione a non schiacciare oggetti e parti del corpo tra i due vassoi FormBox o tra il vassoio inferiore e la base dell'unità.

Non tentare di utilizzare parti del corpo o esseri viventi come modelli nel FormBox.

Avvertenze

Posizionare sempre FormBox su una superficie stabile, piana e resistente al calore. Assicurarsi inoltre che la superficie possa sopportare il peso del FormBox durante l'uso.

Non utilizzare FormBox se la spina, il cavo di alimentazione o la macchina stessa presentano danni fisici o se l'apparecchiatura funziona in modo anomalo o se la macchina è caduta o è stata esposta all'acqua o ad altri liquidi.

Non collegare al FormBox un'aspirapolvere superiore a 2000 watt o comunque superiore alla potenza indicata sul retro della macchina.

Non utilizzare un'aspirapolvere con FormBox che mostra danni fisici o se la spina e/o il cavo di alimentazione dell'aspirapolvere presentano danni fisici o se l'aspirapolvere funziona in modo anomalo in qualsiasi modo o se l'aspirapolvere è caduto o è stato esposto all'acqua o ad altri liquidi.

Non tentare di alimentare alcun oggetto elettrico diverso da un'aspirapolvere utilizzando la presa di uscita di alimentazione FormBox.

Spegnere sempre il riscaldatore FormBox spegnendo il quadrante del riscaldatore su "OFF" dopo l'uso e lasciare raffreddare il riscaldatore per venti minuti prima di spegnerlo.

Non lasciare che il cavo di alimentazione FormBox entri in contatto con il riscaldatore ceramico nella parte superiore della macchina quando il riscaldatore è acceso o si raffredda.

Non spostare o sollevare il FormBox mentre è in funzione o mentre è collegato a una presa elettrica.

Non lasciare il FormBox incustodito quando è in uso.

FormBox non è destinato all'uso da parte di persone (compresi i bambini) con capacità fisiche, sensoriali o mentali ridotte, o mancanza di esperienza e conoscenza, a meno che non siano state fornite supervisione o istruzioni sull'uso dell'apparecchio da parte di una persona responsabile della loro sicurezza.

FormBox può essere utilizzato da bambini di età superiore a 8 anni e persone con ridotte capacità fisiche, sensoriali o mentali o mancanza di esperienza e conoscenza se hanno ricevuto supervisione o istruzioni sull'uso dell'apparecchio in modo sicuro e comprendono i rischi coinvolti

La pulizia e la manutenzione da parte dell'utente del FormBox non devono essere eseguite da bambini se non hanno più di 8 anni e sono supervisionati.

Non permettere ai bambini di giocare con il FormBox incustodito. Il dispositivo non è un giocattolo.

Tenere il FormBox e il cavo di alimentazione fuori dalla portata di animali e bambini di età inferiore a otto anni con la macchina accesa o in raffreddamento.

La stretta supervisione di un adulto è necessaria quando FormBox viene utilizzato da o vicino ai bambini.

Non utilizzare il FormBox sotto l'influenza di sostanze intossicanti.

Non utilizzare il FormBox all'esterno.

Attenzione

Gli oggetti posizionati vicino al FormBox possono scaldarsi.

Controllare attentamente che il cavo di alimentazione FormBox non abbia subito danni. Se il cavo di alimentazione è danneggiato in qualsiasi modo, il produttore o il suo agente di servizio devono sostituirlo per evitare rischi di scosse elettriche.

Svolgere completamente il cavo di alimentazione FormBox prima di collegarlo alla presa a muro.

Non lasciare che il cavo di alimentazione FormBox penda su bordi taglienti del tavolo o entri in contatto con superfici calde.

Assicurarsi che il FormBox sia spento e rimuovere la spina dalla rete elettrica quando non è in uso, prima che venga pulito e durante la riparazione.

Per scollegare il FormBox e l'aspirapolvere collegato al FormBox, afferrare saldamente la spina e rimuoverla dall'alimentazione elettrica. Non tirare il cavo.

Non utilizzare con il tuo FormBox, fogli e materiali Mayku non certificati.

Mayku non è responsabile per l'uso di materiali sperimentali e potenzialmente dannosi utilizzati come fogli o modelli nel FormBox.

Mantenere pulita la piastra di aspirazione del FormBox rimuovendola e lavandola con acqua calda e sapone.

Mantenere pulito il FormBox pulendo con un panno umido e non abrasivo.

Tenere i cuscinetti del FormBox ad un buon livello di manutenzione, applicando regolarmente olio lubrificante per evitarne l'usura.

Se si consegna FormBox a una terza parte, assicurarsi che il manuale di istruzioni di sicurezza sia fornito con il prodotto.

Certificazione

Dichiarazione di conformità EU

Con la presente, Mayku Limited dichiara che questo prodotto è conforme ai requisiti essenziali e alle altre disposizioni pertinenti della Direttiva sulla bassa tensione 2014/35/UE, Direttiva sulla compatibilità elettromagnetica 2014/30/UE, Direttiva RoHS 2011/65/UE, Direttiva REACH CE 1907/2006 e tutti gli altri requisiti della direttiva EU applicabili. Una copia della Dichiarazione di conformità EU è disponibile su www.mayku.me/compliance/eu.



Dichiarazione di conformità FCC

Il dispositivo è conforme alla Parte 15 delle Norme FCC. Il funzionamento è soggetto alle due condizioni seguenti:

1. Il dispositivo non può causare interferenze dannose, e
2. il dispositivo deve tollerare le interferenze ricevute, incluse le interferenze che possano causare un funzionamento indesiderato.

NOTA: Questa apparecchiatura è stata testata e ritenuta conforme ai limiti per un dispositivo digitale di classe B, come specificato nella parte 15 delle normative FCC. Tali limiti sono studiati per fornire una protezione ragionevole rispetto alle interferenze dannose in un'installazione domestica.

questa apparecchiatura genera, utilizza e può irradiare energia in radiofrequenza e, se non viene installata in conformità con le istruzioni, può causare interferenze dannose alle comunicazioni radio. Tuttavia, non vi è garanzia che non si verifichino interferenze in un'installazione particolare. Se l'apparecchiatura causa interferenze alla ricezione radiotelevisiva, verificabili accendendo e spegnendo l'apparecchiatura, si consiglia all'utente di correggere le interferenze in uno dei seguenti modi:

Riorientare o posizionare altrove l'antenna di ricezione.

Aumentare la distanza tra l'apparecchiatura e il ricevitore.

Collegare l'apparecchiatura a una presa su un circuito diverso da quello a cui è connesso il ricevitore.

Contattare il rivenditore o un tecnico radiotelevisivo qualificato per assistenza.

Avvertenza: Variazioni o modifiche apportate a questa unità e non espressamente approvate dalla parte responsabile della conformità potrebbero annullare l'autorizzazione dell'utente a utilizzare l'apparecchiatura.

Informazioni per lo smaltimento e il riciclaggio a livello regionale

Questo simbolo indica che il prodotto non deve essere smaltito con i normali rifiuti domestici. Quando si smaltisce questo prodotto è necessario farlo nel completo rispetto delle leggi e delle linee guida ambientali locali. Per ulteriori informazioni su come smaltire questo prodotto, contattare direttamente le autorità locali, il servizio di smaltimento o Mayku.



Impegno ambientale di Mayku

A Mayku lavoriamo per un futuro sostenibile. Dove le persone hanno il potere di creare, non solo consumare. Consideriamo l'impatto ambientale di ogni prodotto che fabbrichiamo e dei materiali che vi lavorano. Per questo motivo i fogli Mayku sono realizzati con il maggior contenuto possibile di materiali riciclati senza comprometterne la qualità. Abbiamo anche assicurato che siano completamente riciclabili, quindi potrai smaltirli insieme ai normali rifiuti di riciclaggio domestico. Più che una società costruttrice di macchine, Mayku è una comunità di produttori. Abbiamo bisogno di te, per unirti a noi nella creazione di un futuro sostenibile. Aiutaci a prenderci cura del nostro ambiente riciclando i prodotti e i materiali di consumo di Mayku quando possibile.

Garanzia Del Prodotto

Garanzia limitata esclusiva

Gli obblighi di garanzia Mayku per tutti i prodotti hardware venduti da Mayku di limitano ai termini e alle condizioni di seguito indicati. Per poter beneficiare di questa garanzia limitata esclusiva, i prodotti hardware devono essere acquistati tramite Mayku o tramite un rivenditore autorizzato Mayku con una prova di acquisto valida. Mayku garantisce i prodotti hardware di marca Mayku contro difetti di materiali e lavorazione in condizioni di utilizzo normali per un periodo di due anni a decorrere dalla data di acquisto da parte dell'utente finale ("Periodo di garanzia"). I prodotti hardware includono il FormBox e/o qualsiasi versione ricondizionata in fabbrica del suddetto Prodotto.

Nel caso in cui si verifichi un difetto hardware e venga ricevuto un reclamo valido durante il Periodo di garanzia, a nostra esclusiva discrezione e nella misura consentita dalla legge, Mayku potrà o 1) riparare il difetto dell'hardware gratuitamente, utilizzando parti di ricambio nuove o ricondizionate, 2) sostituire il prodotto hardware con un prodotto hardware nuovo o revisionato da Mayku o fabbricato con parti usate, nuove o riparabili che siano almeno funzionalmente equivalenti al prodotto hardware originale, oppure 3) rimborsare il prezzo di acquisto del prodotto hardware.

Quando un prodotto hardware o una parte vengono sostituiti, qualsiasi articolo sostitutivo diventa di tua proprietà e l'articolo sostituito diventa proprietà di Mayku. Le parti fornite da Mayku in adempimento agli obblighi di garanzia devono essere utilizzate nei prodotti hardware per i quali è richiesto il servizio di garanzia. Nel caso in cui si proceda con un rimborso, il prodotto hardware per il quale il rimborso è stato corrisposto dovrà essere restituito a Mayku se non diversamente specificato.

Esclusioni e limitazione della garanzia

La presente garanzia limitata si applica solo ai prodotti hardware fabbricati da o per Mayku che possono essere identificati dal logo "Mayku" apposto su di essi. La garanzia limitata non si applica ai prodotti hardware non-Mayku, Mayku non garantisce che il funzionamento del prodotto hardware sarà ininterrotto o privo di difetti. Mayku non è responsabile per danni

derivanti dalla mancata osservanza delle istruzioni relative all'uso del prodotto hardware.

La presente garanzia non si applica in caso di: a) danni causati da incidente, abuso, uso improprio, inondazioni, incendi, terremoti o altre cause esterne; b) danni causati dall'utilizzo del prodotto hardware al di fuori degli usi consentiti o previsti descritti da Mayku; c) danni causati dal servizio (compresi gli aggiornamenti e le espansioni) eseguiti da chiunque non sia rappresentante di Mayku; d) un prodotto hardware o una parte che è stata modificata per alterare funzionalità o capacità senza il permesso scritto di Mayku e) materiali di consumo, a meno che non si sia verificato un danno a causa di un difetto nei materiali o nella lavorazione; o f) danni estetici, inclusi ma non limitati a graffi, ammaccature.

LA PRESENTE GARANZIA FORNISCE ALCUNI DIRITTI LEGALI SPECIFICI, E L'UTENTE PUÒ AVERE ALTRI DIRITTI CHE VARIANO DA STATO A STATO O DA PAESE A PAESE. LA RESPONSABILITÀ DI MAYKU PER I DIFETTI DELL'HARDWARE SI LIMITA ALLA RIPARAZIONE O AL SERVIZIO DI SOSTITUZIONE COME STABILITO DA MAYKU A PROPRIA ESCLUSIVA DISCREZIONE.

Limitazione di responsabilità

Salvo quanto esplicitamente previsto nelle presenti Condizioni, non garantiamo, dichiariamo o garantiamo che l'utilizzo del nostro servizio o di qualsiasi prodotto hardware Mayku sarà ininterrotto, tempestivo, sicuro o privo di errori. Non garantiamo che i risultati che possono essere ottenuti dall'utilizzo del servizio o del Prodotto hardware saranno accurati o affidabili. L'utente accetta che, di volta in volta, possiamo sospendere il servizio per periodi di tempo indefiniti o annullare il servizio in qualsiasi momento, senza preavviso.

Come ottenere il servizio di garanzia

Ti preghiamo di contattare Mayku a support@mayku.me e saremo in grado di assisterti. Ti verrà richiesto di aiutarci a diagnosticare i problemi relativi al tuo prodotto hardware. Le opzioni di servizio, la disponibilità delle parti e i tempi di risposta possono variare. Le opzioni di servizio sono soggette a modifiche in qualsiasi momento. In conformità alle disposizioni di legge applicabili, Mayku può richiedere di fornire la prova dei dettagli dell'acquisto prima di procedere con il servizio di garanzia.

Termini

Si prega di prendere conoscenza dei seguenti Termini (i "Termini") contenuti nel Manuale di avviamento (il "Manuale di Avviamento"), nelle Istruzione per la formazione dei fogli (le "Istruzione per la formazione dei fogli"), nelle Istruzioni per la fusione dei fogli (le "Istruzioni per la fusione dei fogli"), e nell'opuscolo informativo sulla sicurezza (l'"opuscolo informativo sulla sicurezza") inclusi nella confezione di FormBox: Tutte le informazioni contenute nel Manuale di avviamento, nelle Istruzione per la formazione dei fogli, nelle Istruzioni per la fusione dei fogli e nell'opuscolo informativo sulla sicurezza sono soggette a modifiche in qualsiasi momento senza preavviso e vengono fornite solo a scopo di utilità. Mayku si riserva il diritto di modificare o rivedere il libro introduttivo, le istruzioni del modulo, le istruzioni del foglio di lavoro e l'opuscolo informativo sulla sicurezza a sua esclusiva discrezione e in qualsiasi momento. Accetti di essere vincolato da eventuali modifiche e/o revisioni. Contattare il supporto Mayku per informazioni aggiornate. Il design dello Starter Book, le istruzioni del modulo, le istruzioni del foglio di lavoro e l'opuscolo informativo sulla sicurezza e tutto il testo, la grafica, le informazioni, i contenuti e altri materiali sono protetti da copyright e da altre leggi. I contenuti sono copyright 2017, 2018 Mayku, LTD, o dei nostri rispettivi affiliati e fornitori. Tutti i diritti riservati. Alcuni marchi commerciali, nomi commerciali, marchi di servizio e loghi (i "Marchi") usati nel libro introduttivo, nelle istruzioni del modulo, nelle istruzioni sui fogli e nell'informativa sulla sicurezza sono marchi registrati e non registrati, nomi commerciali e marchi di servizio di Mayku e dei suoi affiliati. Nulla di quanto contenuto nel Libro dello Starter, nelle Istruzioni del Foglio di istruzioni, nelle Istruzioni del Foglio Cast e nell'opuscolo informativo sulla sicurezza o deve essere interpretato come concessione, implicitamente, preclusione o altra licenza o diritto di utilizzare qualsiasi Marchio senza il consenso scritto di Mayku. Qualsiasi uso non autorizzato di qualsiasi informazione, materiale o marchio può violare le leggi sul copyright, i marchi registrati, le leggi sulla privacy e la pubblicità e / o altre leggi e regolamenti. CLAUSOLA DI ESCLUSIONE DELLA RESPONSABILITÀ. Né Mayku né alcuna delle nostre affiliate garantisce l'accuratezza o la completezza delle informazioni, dei prodotti o dei servizi forniti da o attraverso il Manuale di avviamento, le istruzioni del modulo, le istruzioni del foglio di fusione e l'opuscolo informativo sulla sicurezza, forniti "così come sono" e senza garanzie espresse o implicite di qualsiasi tipo, incluse garanzie di commerciabilità, idoneità per uno scopo particolare o non violazione della proprietà intellettuale. Nella misura massima consentita dalla legge applicabile, decliniamo ogni e qualsiasi responsabilità per vizi o difetti del prodotto o per reclami dovuti a normale usura, uso improprio del prodotto o abuso, modifica del prodotto, selezione errata del prodotto, non conformità con codici o appropriazione indebita. Nella misura massima consentita dalla legge applicabile, con la presente decliniamo ogni e qualsiasi responsabilità, rischio, responsabilità e danni derivanti dalla morte o dalle lesioni personali derivanti dall'assemblaggio o dal funzionamento dei nostri prodotti. Le esclusioni di cui sopra non si applicano nella misura proibita dalla legge; si prega di fare riferimento alle leggi locali per tali divieti. Non forniamo garanzie a coloro definiti come "consumatori" nella Garanzia Magnuson-Moss - Legge di Miglioramento della

Commissione federale del Commercio. termini 60 termine LIMITAZIONI DI RESPONSABILITÀ. In nessun caso Mayku o qualsiasi nostro funzionario, amministratore, dipendente, azionista, affiliato, agente, successore o cessionario, né alcuna parte coinvolta nella creazione o fabbricazione dei nostri prodotti, sarà responsabile nei confronti dell'utente o di chiunque altro per ogni e qualsiasi danno speciale, punitivo, incidentale o consequenziale (inclusi, a titolo esemplificativo, quelli derivanti da mancati profitti o interruzioni di attività) derivanti dall'uso, dall'incapacità di utilizzo o dai risultati dell'uso del Manuale di avviamento, delle Istruzioni per la formazione dei fogli, delle Istruzioni per la fusione dei fogli e dell'opuscolo informativo sulla sicurezza, sia che si tratti di garanzia, contratto, illecito civile o qualsiasi altra ipotesi legale e se siano o meno avvertiti riguardo la possibilità di tali danni. Le precedenti limitazioni di responsabilità non si applicano nella misura proibita dalla legge; si prega di fare riferimento alle leggi locali per tali divieti.

Mayku
Studio 101,
Curtain House,
134 - 146 Curtain Rd, Shoreditch,
London,
EC2A 3AR

www.mayku.me
support@mayku.me

Informação De Segurança

Português

Muito obrigado por adquirir o seu primeiro produto da Mayku, a FormBox. Se precisar de qualquer outro apoio, não hesite em nos contactar através de support@mayku.me ou visitar www.help.mayku.me

Este manual assegura-lhe que usará a FormBox com segurança; consultar o nosso manual de instruções incluído ou visitar o nosso manual online em www.mayku.me/hello para começar e fazer o seu primeiro molde.

Importante

Ler cuidadosamente estas importantes informações antes de utilizar a FormBox e guardá-las para consulta futura. Se não respeitar todas as instruções indicadas pode resultar num choque elétrico, incêndio ou lesões pessoais graves. Mayku não aceita qualquer responsabilidade por lesões do utilizador ou outros, ou danos materiais o na FormBox, nem a garantia se aplicará caso a FormBox e materiais relacionados sejam utilizados de modo não próprio ou se as instruções não forem corretamente seguidas.

Perigo

Antes de ligar a FormBox à corrente elétrica, verificar se a tensão e a alimentação estão conformes às especificações indicadas na placa de características do aparelho. Encontrará esta informação no autocolante nas costas da máquina.

A placa cerâmica da resistência na parte de baixo da unidade de topo da FormBox pode ficar extremamente quente em funcionamento e pode provocar queimaduras graves. Não tocar durante o funcionamento.

Quando em funcionamento, as superfícies diretamente sob a resistência da FormBox ficarão muito quentes.

Quando as folhas são aquecidas na FormBox, e outros materiais, ficam muito quentes, não tocar nas folhas Mayku até elas arrefecerem após o uso.

A FormBox funde as folhas de plástico e outros materiais, que podem emitir fumos e odores sob circunstâncias normais e se sobreaquecerem. Utilizar sempre a FormBox numa zona bem ventilada.

Nunca cobrir os orifícios de ventilação nos lados superior, laterais ou inferior da FormBox.

A FormBox não pode ser mergulhada e, água, pois qualquer com as partes elétricas pode criar um risco de avaria e de choque elétrico.

Para evitar o risco de choque elétrico, não mergulhar o cabo de alimentação, ficha ou qualquer das peças não removíveis da FormBox em água ou qualquer outro líquido.

Nunca deixar que qualquer líquido caia ou entre na FormBox.

Não usar a FormBox com mãos húmidas.

Não orientar ou operar a FormBox virada ao contrário ou de lado.

A desmontagem da FormBox apenas deve ser realizada por um profissional especializado em reparações certificado pela Mayku.

Não podem ser utilizados acessórios não recomendados especificamente pelo fabricante, pois podem causar danos pessoais ou danos na FormBox.

Não substituir qualquer peça da FormBox por um componente não original.

Não utilizar quaisquer materiais inflamáveis ou potencialmente explosivos em conjunto com a FormBox quer como folhas ou modelos.

Cuidado com o esmagamento de objetos e partes do corpo entre os dois tabuleiros da FormBox ou entre o tabuleiro inferior e a base da unidade.

Nunca tentar usar partes do corpo ou seres vivos como modelos na FormBox.

Aviso

Colocar sempre a FormBox sobre uma superfície estável, plana e resistente ao calor. Assegurar-se também que a superfície pode suportar o peso da FormBox durante o uso.

Não utilizar a FormBox se a ficha, o cabo de alimentação ou a própria máquina apresentarem danos físicos, ou se a máquina estiver a funcionar de alguma forma de modo anómalo, ou se a máquina tiver caído ou sido exposta à água ou outro líquido.

Não ligar um aspirador à sua FormBox que tenha mais de 2000 watts ou acima da potência indicada em watts na parte de trás da máquina.

Não utilizar um aspirador com a FormBox que apresente danos físicos, ou se a ficha e/ou cabo de alimentação do aspirador apresentarem danos físicos, ou se o aspirador estiver a funcionar de alguma forma de modo anómalo, ou se o aspirador tiver caído ou sido exposto à água ou outro líquido.

Não tentar alimentar quaisquer outros artigos elétricos além de um aspirador usando a tomada de saída de alimentação da FormBox.

Desligar sempre a resistência da FormBox, rodando o indicador da resistência para OFF após utilização e deixar que os ventiladores arrefeçam a resistência durante vinte minutos antes de desligar na corrente.

Não deixar o cabo de alimentação da FormBox entrar em contacto com a resistência cerâmica no topo da máquina quando a resistência é ligada ou está a arrefecer.

Não mover ou elevar a FormBox enquanto ela estiver a funcionar ou enquanto estiver ligada a uma tomada elétrica.

Não deixar a FormBox a funcionar sem supervisão.

A FormBox não se destina a ser utilizada por pessoas (incluindo crianças) com capacidades físicas, sensoriais ou mentais reduzidas, ou falta de experiência ou conhecimento, salvo se tiverem supervisão ou tiverem recebido instruções relativamente ao uso do aparelho por uma pessoa responsável pela sua segurança.

A FormBox pode ser utilizadas por crianças com idade 8 ou mais anos de idade e por pessoas com capacidades físicas, sensoriais ou mentais reduzidas, ou falta de experiência ou conhecimento, se elas tiverem supervisão ou tiverem recebido instruções relativamente ao uso do aparelho de uma maneira segura e compreendam os perigos envolvidos.

A limpeza e a manutenção pelo utilizador da FormBox não devem ser feitas por crianças, salvo se tiverem mais de 8 anos e forem supervisionadas.

Não deixar as crianças brincarem com a FormBox sem supervisão. Ela não é um brinquedo.

Manter a FormBox e o seu cabo de alimentação fora do alcance de animais e crianças com idade inferior a oito anos, quando a máquina estiver ligada ou a arrefecer.

É necessária uma supervisão atenta dos adultos quando a FormBox é utilizada por ou perto de crianças.

Não utilizar a FormBox sob a influências de quaisquer substâncias tóxicas.

Não usar a FormBox no exterior.

Atenção

Os objetos colocados perto da FormBox também podem ficar quentes.

Verificar periodicamente se o cabo de alimentação da FormBox está danificado. Se o cabo de alimentação estiver danificado de alguma forma, o fabricante ou o seu agente de assistência têm de o substituir, para evitar um perigo elétrico.

Desenrolar completamente o cabo de alimentação da FormBox antes de o introduzir na tomada de corrente.

Não permitir que o cabo de alimentação da FormBox fique dependurado em arestas de mesas afiadas ou entre em contacto com superfícies quentes.

Assegurar-se de que a FormBox está desligada e que a ficha foi removida da tomada de corrente quando ela não estiver a ser utilizada, antes de ser limpa ou enquanto está a ser reparada.

Para desligar o FormBox e o aspirador que lhe está ligado, puxar firmemente pela ficha e retirá-la da tomada elétrica. Não puxar pelo cabo.

Não utilize na FormBox folhas e materiais não certificados pela Mayku.

A Mayku não é responsável pelo uso de quaisquer materiais experimentais e potencialmente prejudiciais utilizados como folhas ou modelos na FormBox.

Manter limpa a placa do aspirado da sua FormBox, removendo-a e lavando-a em água morna com sabão.

Manter a FormBox limpa, limpando com um pano húmido e não abrasivo.

Manter os rolamentos da FormBox bem conservados, aplicando periodicamente óleo lubrificante para evitar o desgaste.

Se entregar a FormBox a um terceiro, assegurar-se de que este manual de instruções de segurança acompanha o produto.

Certificação

Declaração EU de conformidade

A Mayku Limited declara pela presente que este produto está em conformidade com os requisitos essenciais e outras disposições relevantes da Diretiva Baixa Tensão 2014/35/EU, Diretiva Compatibilidade Eletromagnética 2014/30/UE, Diretiva RoHS 2011/65/EU, Diretiva REACH 1907/2006/CE, e todos os outros requisitos das diretivas UE aplicáveis. Uma cópia da Declaração EU de Conformidade está disponível em www.mayku.me/compliance/eu.



Declaração de Conformidade FCC

O aparelho cumpre o capítulo 15 das normas da FCC. O funcionamento está sujeito às duas condições seguintes:

1. este aparelho não pode causar interferências nocivas, e
2. este aparelho tem de aceitar quaisquer interferências recebidas, incluindo interferências que possam provocar um funcionamento não desejado.

NOTA: O equipamento foi ensaiado e considerado como cumprindo os limites para um aparelho digital de Classe B, nos termos do Capítulo 15 das normas da FCC. Estes limites foram concebidos para proporcionar uma proteção razoável contra interferências nocivas em equipamentos domésticos.

Este equipamento gera, usa e pode irradiar energia de radiofrequência e, se não instalado e utilizado de acordo com as instruções, pode causar interferências nocivas em comunicações de rádio.

No entanto, não há garantia de que não ocorram interferências num equipamento específico. Se este equipamento causar interferências nocivas na receção de rádio ou televisão, o que pode ser determinado ligando-se e desligando-se o equipamento, o utilizador é encorajado a

tentar corrigir a interferência por uma ou mais das seguintes medidas:

Reorientar ou reposicionar a antena recetora.

Aumentar o afastamento entre o equipamento e o aparelho recetor.

Ligar o equipamento a uma tomada num circuito diferente daquele em que está ligado o aparelho recetor.

Consultar o agente ou um técnico experiente de rádio/TV para ajudar.

Aviso: As alterações ou modificações a esta unidade não expressamente aprovadas pela parte responsável pela conformidade podem anular a autoridade do utilizador para operar o equipamento.

Informação regional sobre eliminação e reciclagem

Este símbolo indica que este produto não pode ser eliminado juntamente com o lixo doméstico normal. Quando eliminar este produto, tem de o fazer de acordo com as leis e diretrizes ambientais locais. Para mais informações sobre a eliminação deste produto, contactar a sua autarquia local, serviço de gestão de resíduos ou, diretamente, a Mayku.



Compromisso Ambiental Mayku

Na Mayku trabalhamos para um futuro sustentável. Onde as pessoas têm o poder de criar, não apenas de consumir. Nós avaliamos o impacto ambiental de cada produto que produzimos, bem como os materiais que trabalham com ele. É por isso que as Mayku Sheets são fabricadas com a maior percentagem de material reciclado possível, sem comprometer a qualidade. Também nos asseguramos de que são completamente reciclável - para que possa colocá-los junto do seus resíduos domésticos normais para reciclagem. Mais do que uma empresa de máquinas, a Mayku é uma comunidade de fabricantes. E precisamos de si - para se juntar a nós, criando um futuro sustentável. Ajude-nos a cuidar do nosso ambiente ao reciclar os produtos e consumíveis Mayku sempre que possível.

Garantia Do Produto

Garantia Limitada Exclusiva

As obrigações de garantia da Mayku para todos os Produtos vendidos pela Mayku estão limitadas pelas condições abaixo estabelecidas. Para serem elegíveis para esta Garantia Limitada Exclusiva, os Produtos têm de ter sido comprados através da Mayku ou através de um Revendedor Autorizado Mayku com um Comprovativo de Compra válido.

A Mayku garante os Produtos de marca Mayku contra defeitos de material e mão-de-obra em condições de uso normal por um período de dois anos a partir da data de compra pelo comprador utilizador final original ("Período de Garantia") Os Produtos incluem a FormBox e/ou qualquer versão recondicionada pela fábrica do Produto mencionado.

Se aparecer um defeito de material e for recebida uma reclamação de garantia válida durante o Período de Garantia, a nossa única opção e na medida permitida pela lei, a Mayku ou 1) reparará o defeito de material sem custos, utilizando peças sobresselentes novas ou renovadas, ou 2) trocará o Produto por um Produto que é novo ou recondicionado pela Mayku ou que tenha sido fabricado a partir de peças novas ou reparadas e que é, no mínimo, funcionalmente equivalente ao Produto original, ou 3) reembolsará o preço de compra do Produto.

Quando um Produto ou peça é trocado, qualquer artigo sobresselente torna-se propriedade sua e o artigo substituído propriedade da Mayku. As peças fornecidas pela Mayku no cumprimento da sua obrigação de garantia têm de ser utilizadas nos Produtos para os quais foi pedido o serviço de garantia. Quando é feito um reembolso, o Produto para o qual é dado o reembolso tem de ser devolvido à Mayku, salvo indicação em contrário.

Exclusões da Garantia Limitada

Esta Garantia Limitada aplica-se apenas aos Produtos fabricados por e para a Mayku que podem ser identificados pelo logótipo "Mayku" afixado neles. A Garantia Limitada não se aplica a qualquer Produtos não Mayku.

A Mayku não garante que o funcionamento do Produto será ininterrupto ou isento de erros. A Mayku não é responsável por danos emergentes do não cumprimento das instruções relativas ao uso do Produto.

Esta garantia não se aplica: a) a danos causados por acidente, abuso, má utilização, inundação, incêndio, sismo ou outras causas externas; b) a danos causados por utilizar o Produto em desacordo com os usos permitidos ou pretendidos descritos pela Mayku; c) a danos causados por manutenção (incluindo atualizações e expansões) executadas por pessoas que não sejam representantes da Mayku; d) a um Produto ou peça que tenha sido modificada para alterar a funcionalidade ou capacidade sem a autorização escrita da Mayku; e) a consumíveis, salvo se o dano ocorrer devido a um defeito de material ou mão-de-obra; ou f) a danos cosméticos, incluindo, de forma não exaustiva, riscos e mossas.

ESTA GARANTIA DÁ-LHE DIREITOS LEGAIS ESPECÍFICOS E TAMBÉM PODE TER OUTROS DIREITOS QUE VARIAM DE ESTADO PARA ESTADO OU DE PAÍS PARA PAÍS. A RESPONSABILIDADE DA MAYKU POR DEFEITOS DE MATERIAL É LIMITADA AO SERVIÇO DE REPARAÇÃO OU SUBSTITUIÇÃO, CONFORME DETERMINADO, A SEU CRITÉRIO EXCLUSIVO, PELA MAYKU.

Exclusão de Garantias; Limitação de Responsabilidade

Exceto como expressamente disposto nestas Condições, não garantimos ou declaramos que a utilização por sua parte do nosso serviço ou de qualquer Produto Mayku será ininterrupta, rápida, segura ou isenta de erros. Não garantimos que os resultados que possam ser obtidos do uso do serviço ou do Produto sejam exatos ou fiáveis. O utilizador concorda que, de tempos a tempos, o serviço possa ser removido por períodos de tempo indefinidos ou cancelado em qualquer momento, sem aviso prévio.

Obter o Serviço de Garantia

Contacte a Mayku por support@mayku.me e nós estaremos prontos para o ajudar. Precisarás de nos ajudar a fazer os diagnósticos ao seu Produto.

As opções de serviço, disponibilidade de peças e tempos de resposta podem variar. As opções de serviço estão sujeitas a alterações em qualquer momento. De acordo com a lei aplicável, a Mayku pode exigir que forneça informações comprovativas da compra antes de receber o serviço de garantia.

Condições

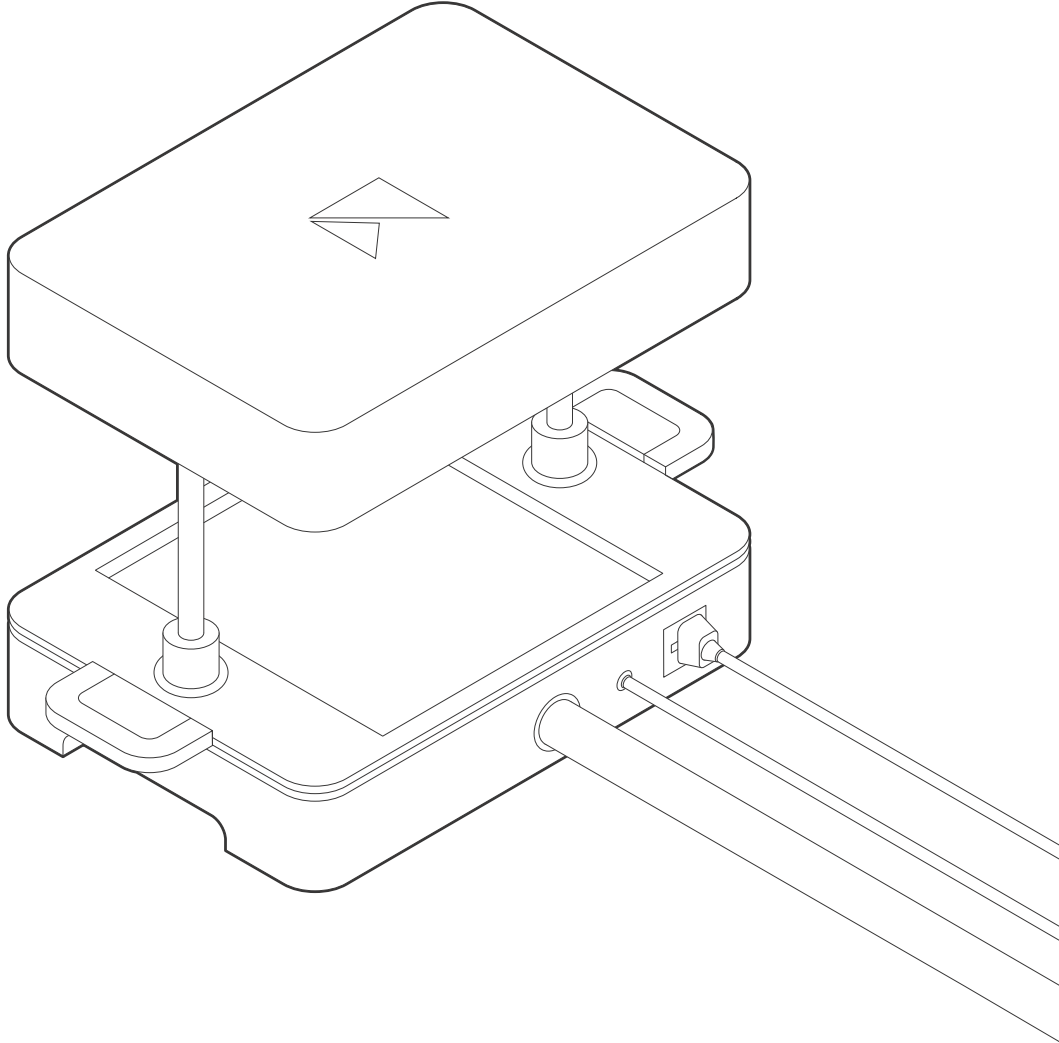
Ter em atenção as seguintes condições (as “Condições”) relativas ao Livro Como Começar (o “Livro Como Começar”), as Instruções Folhas de Forma (as “Instruções Folhas de Forma”), as Instruções Folhas de Molde (as “Instruções Folhas de Molde”), e manual Informação de Segurança, o “Manual Informação de Segurança”) incluídos na embalagem da FormBox: Todas as informações no Livro Como Começar, Instruções Folhas de Forma, Instruções Folhas de Molde e Manual Informação de Segurança estão sujeitas a alterações em qualquer momento, sem aviso prévio, e são fornecidas apenas por conveniência. A Mayku reserva-se no direito de modificar ou rever o Livro Como Começar, Instruções Folhas de Forma, Instruções Folhas de Molde e Manual Informação de Segurança à sua exclusiva discricção e em qualquer momento. O utilizador concorda em ficar vinculado a quaisquer modificações e/ou revisões. Contactar o Apoio da Mayku para informação atualizada. O design do Livro Como Começar, Instruções Folhas de Forma, Instruções Folhas de Molde e Manual Informação de Segurança e todos os textos, gráficos, informações, conteúdo e outro material estão protegidos por copyright e outras leis. Os conteúdos estão protegidos por copyright da 2017, 2018 Mayku, LTD, ou das nossas respetivas subsidiárias ou fornecedores. Todos os direitos reservados. Certas marcas registadas, nomes comerciais, marcas de serviço e logótipos (as “Marcas”) utilizados no Livro Como Começar, Instruções Folhas de Forma, Instruções Folhas Moldadas e Manual Segurança da Informação são marcas registadas e não registadas, nomes comerciais e marcas de serviço da Mayku e suas subsidiárias. Nada do que está contido no Livro Como Começar, Instruções Folha de Forma, Instruções Folhas de Molde e Manual Informação de Segurança concede ou pode ser interpretado como concedendo, de modo implícito, por inferência ou outro, qualquer licença ou direito de utilização de quaisquer Marcas sem a autorização escrita da Mayku. Qualquer utilização não autorizada de quaisquer informações, materiais ou Marcas pode infringir as leis de copyright, leis de marcas registadas, leis de privacidade e publicidade e/ou outras leis e regulamentos. ISENÇÕES DE RESPONSABILIDADE Nem a Mayku nem qualquer das nossas subsidiárias garante a exatidão ou completude da informação, produtos ou serviços fornecidos por ou através do Livro Como Começar, Instruções Folhas de Forma, Instruções Folhas de Molde e Manual Segurança da Informação, que são fornecidas “como tal” e sem quaisquer garantias implícitas ou explícitas de qualquer tipo, incluindo garantias de comerciabilidade, adequação para um fim específico ou não infração de propriedade intelectual. Na máxima extensão permitida pela lei aplicável, recusamos pelo presente qualquer responsabilidade por defeitos do produto ou avaria ou por reclamações que são devidas ao desgaste normal, má utilização ou abuso do produto, modificação do produto, escolha inadequado do produto, não cumprimento de quaisquer códigos ou apropriação indevida. Na máxima extensão permitida pela lei aplicável, recusamos pela presente toda e qualquer responsabilidade, risco e danos emergentes da morte ou danos pessoais resultantes da montagem ou operação dos nossos produtos. As exclusões acima referidas não se aplicam na medida em que for proibido pela lei; consultar

as leis locais relativamente a essas proibições. Não damos garantias àqueles que são definidos como “consumidores” pelo Magnuson-Moss Warranty–Federal Trade Commission Improvement Act. condições 60

Condições condições LIMITAÇÕES DE RESPONSABILIDADE. Em nenhum caso a Mayku ou qualquer um dos nossos respetivos representantes, diretores, empregados, acionistas, subsidiários, agentes, sucessores ou cessionários, nem qualquer parte envolvida na criação ou produção de nossos produtos, será responsável perante si ou qualquer outra pessoa por quaisquer danos indiretos, especiais, punitivos, incidentais ou consequenciais (incluindo, de modo não exaustivo, aos resultantes de lucros cessantes ou interrupção de negócio) decorrentes do uso, incapacidade de uso ou resultados de uso do Livro Como Começar, Instruções de Folha de Forma, Instruções Folhas de Molde e Manual Informações de Segurança, seja com base em garantia, contrato, ato ilícito, ou qualquer outra teoria legal e quer tenha sido ou não avisado da possibilidade de tais danos. As limitações de responsabilidade acima referidas não se aplicam na medida em que for proibido pela lei; consultar as leis locais relativamente a essas proibições.

Mayku
Studio 101,
Curtain House,
134 - 146 Curtain Rd, Shoreditch,
London,
EC2A 3AR

www.mayku.me
support@mayku.me



©2018 Mayku LTD. All Rights Reserved. The Mayku logo and FormBox are trademarks of Mayku LTD.
Designed in London. Made in China.